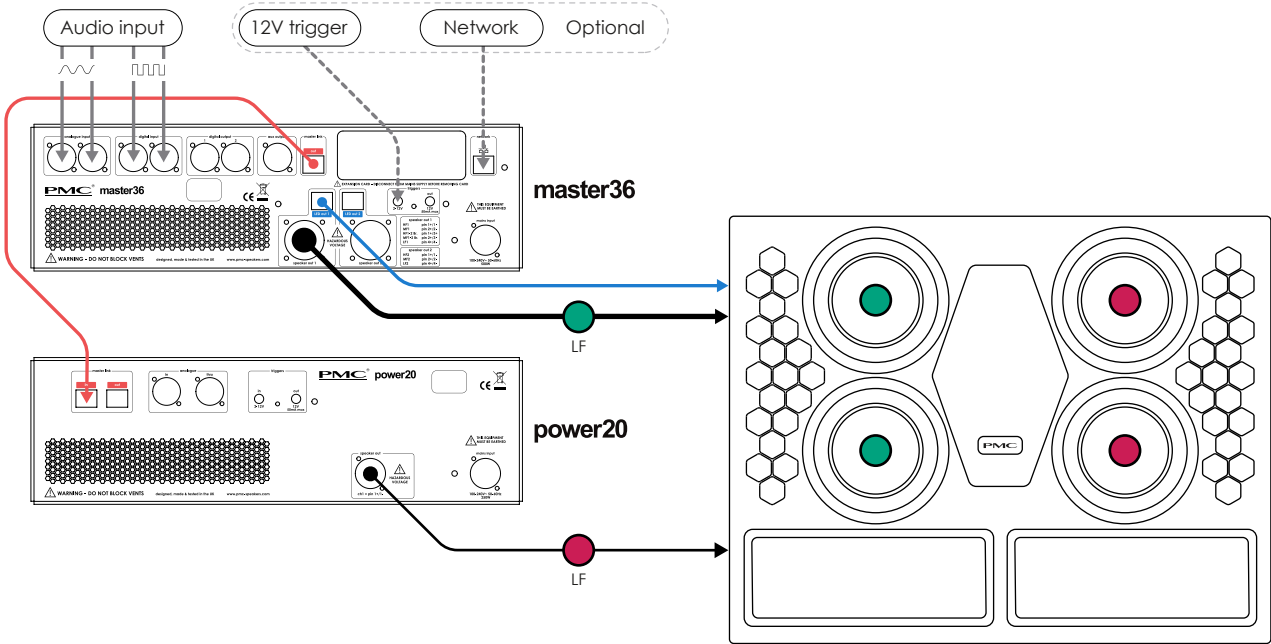


PMC10-4 SUB

connections per channel



Key	
masterlink	—
LED cable	—
speaker cable	—
input cables (not supplied)	—