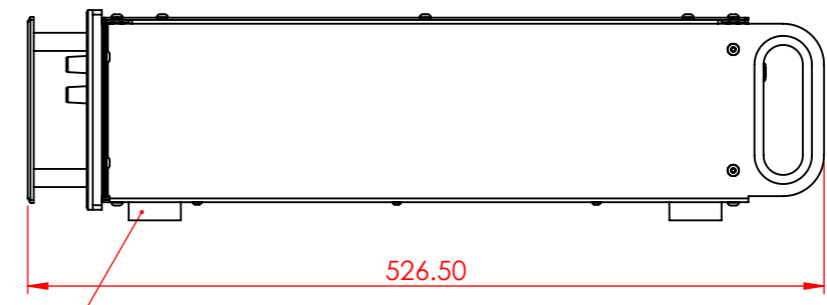
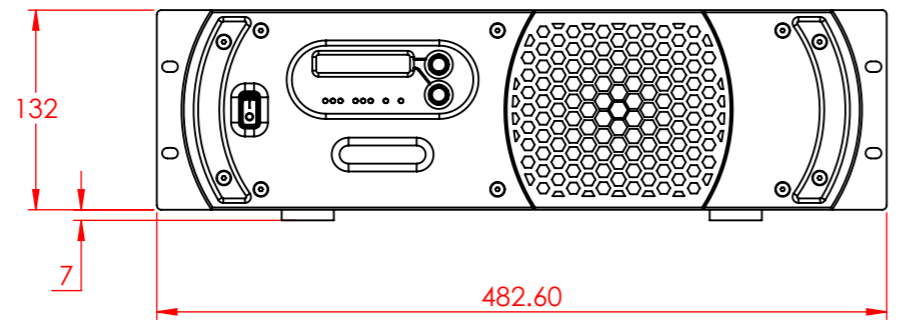



PRODUCT WEIGHT: 13kg
 PACKAGED WEIGHT: 16kg
 PACKAGED DIMENSIONS: 580 x 650 x 250mm



Feet removable for rack mounting

 THE PROFESSIONAL MONITOR COMPANY Holme Court Biggleswade, Bedfordshire SG18 9ST Tel: 01767 686 300	SIZE	TITLE		5				
	A3	Weights & Dims		4				
	SCALE	PROJECT		3				
	1:5	PART NO.	REV.	2				
	SHEET	All Tolerances +/-0.2mm Unless otherwise stated		1	EW	First Issue	07/01/26	
1 of 1	All Dimensions in mm		ISS.	INIT.	DESCRIPTION	DATE	APP.	