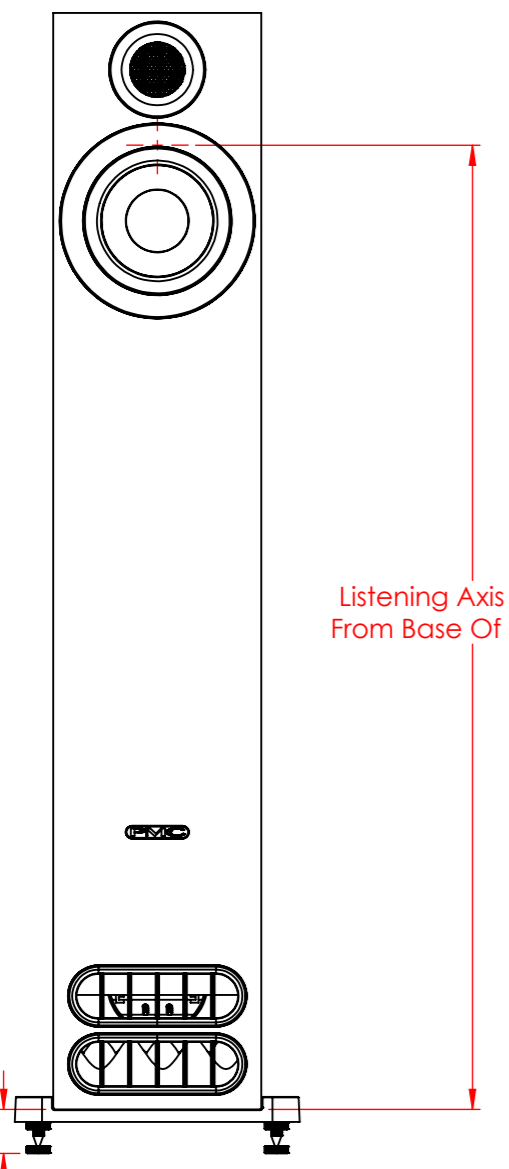
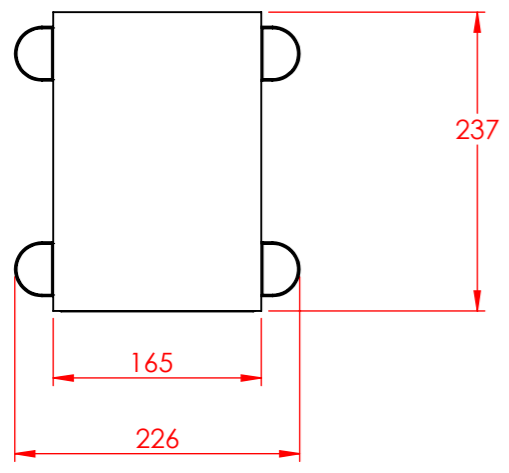
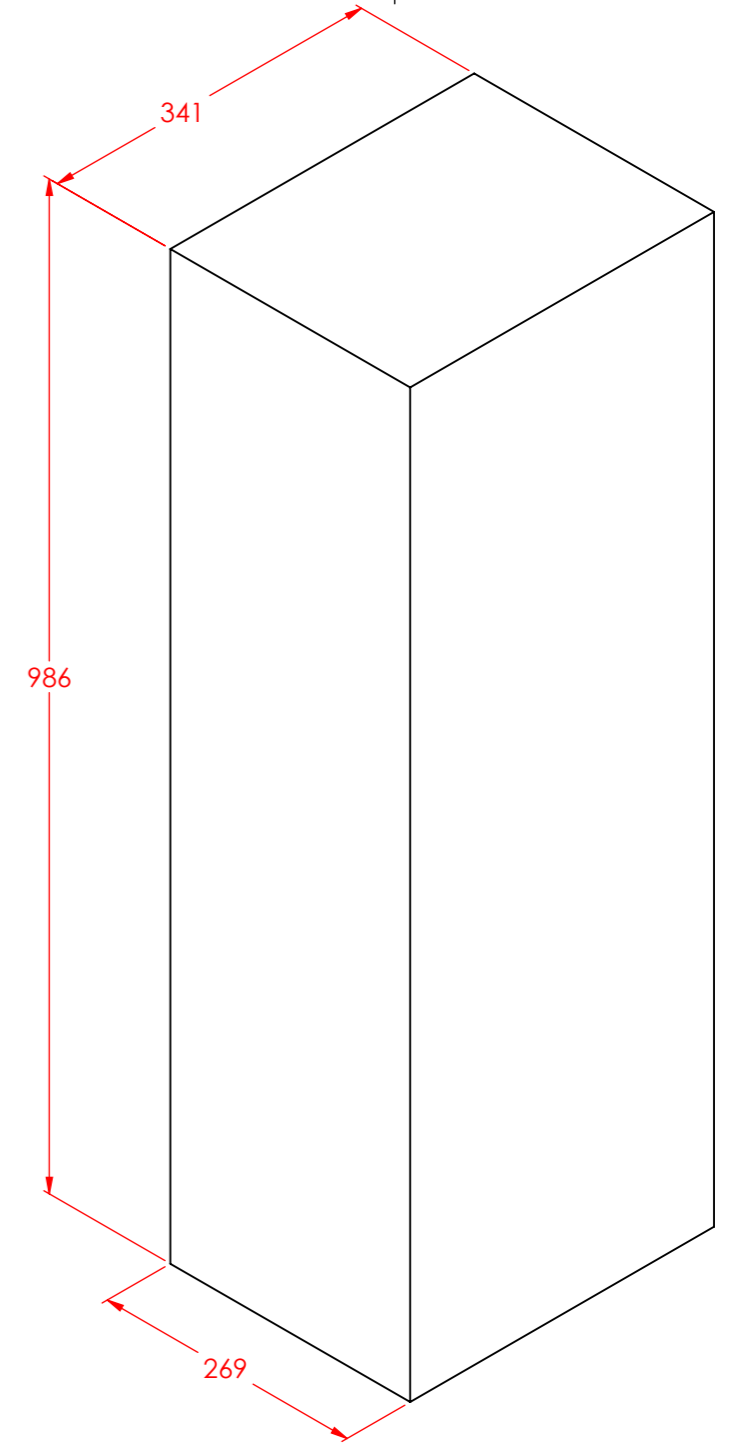
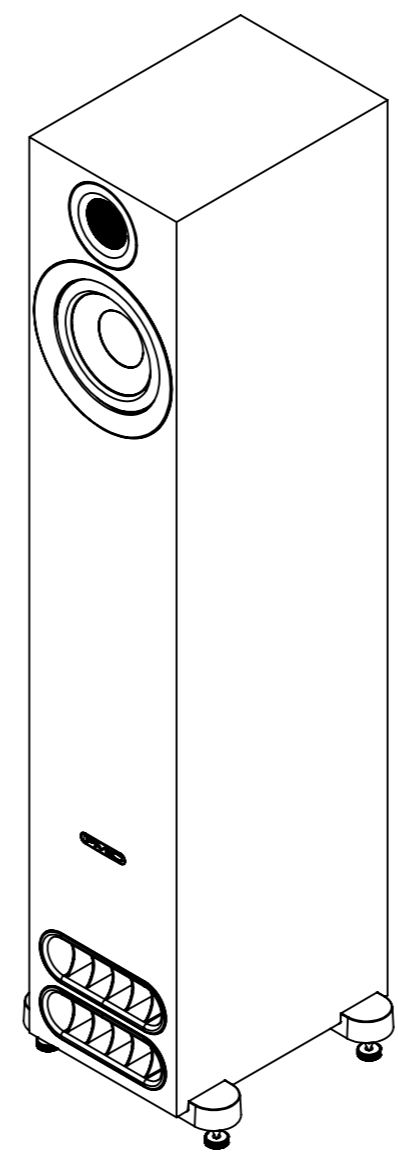
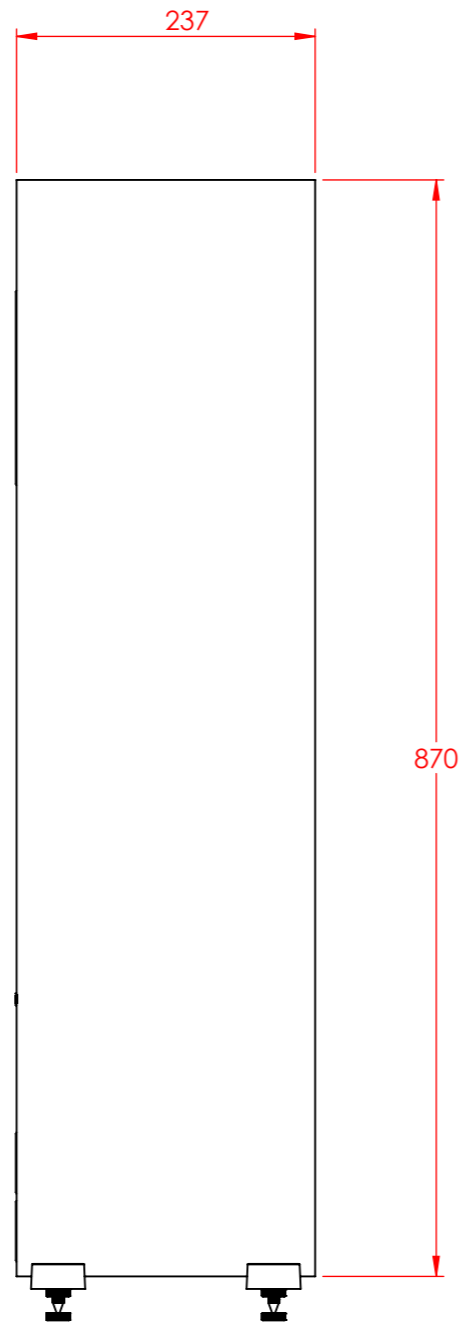


1 A B C D E D E



Listening Axis 765mm  
From Base Of Speaker

33mm MIN  
50mm MAX



PACKAGING

PACKAGED WEIGHT	12KG
UNPACKED WEIGHT	10KG
PACKAGED DIMMS (LXWXH)	269x341x986mm

**PMC**<sup>®</sup>  
 THE PROFESSIONAL MONITOR COMPANY  
 Holme Court  
 Biggleswade, Bedfordshire SG18 9ST  
 Tel: 01767 686 300

SIZE	A3		TITLE	Prodigy5 Outline Drawing		5			
PROJECT	Prodigy		PART NO.	REV.	1	4			
SCALE	1:6		All Tolerances +/-0.2mm Unless otherwise stated			3			
SHEET	1 of 1		All Dimensions in mm			2			
ISS.	INIT.	DESCRIPTION	DATE	APP.		1	TM	INITIAL ISSUE	16/06/22 EW