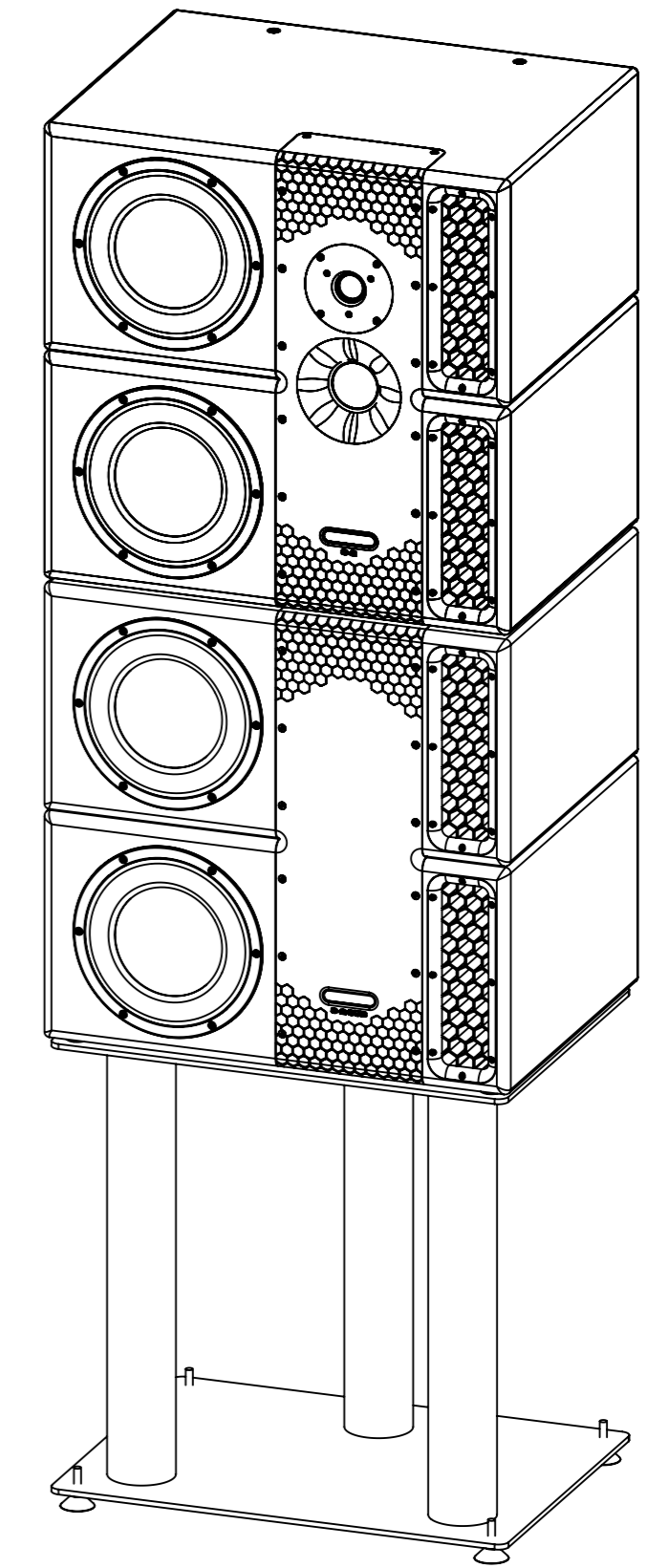
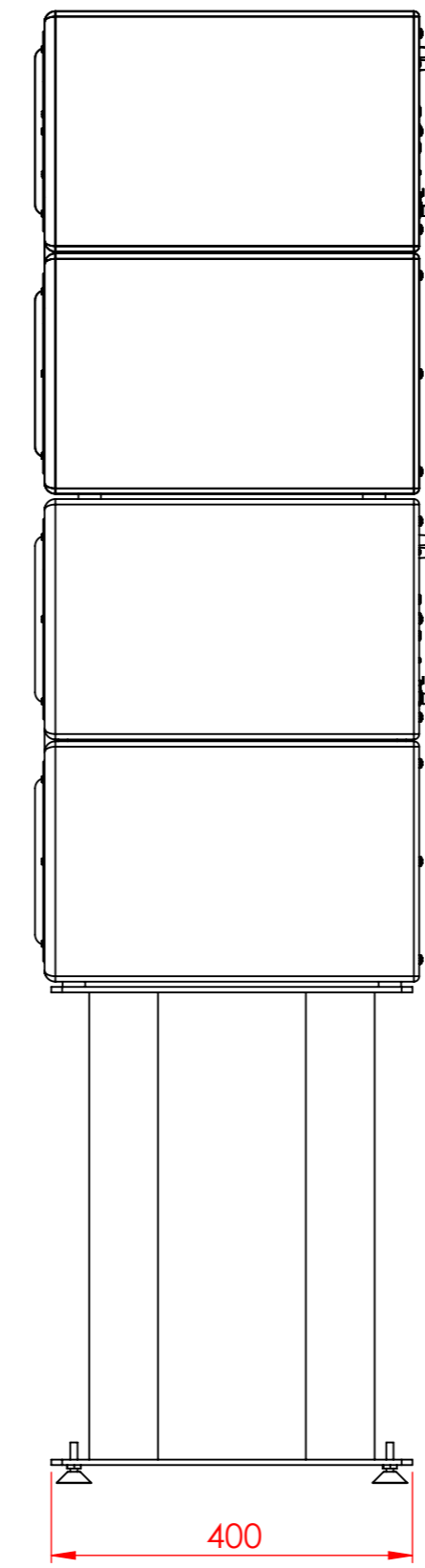
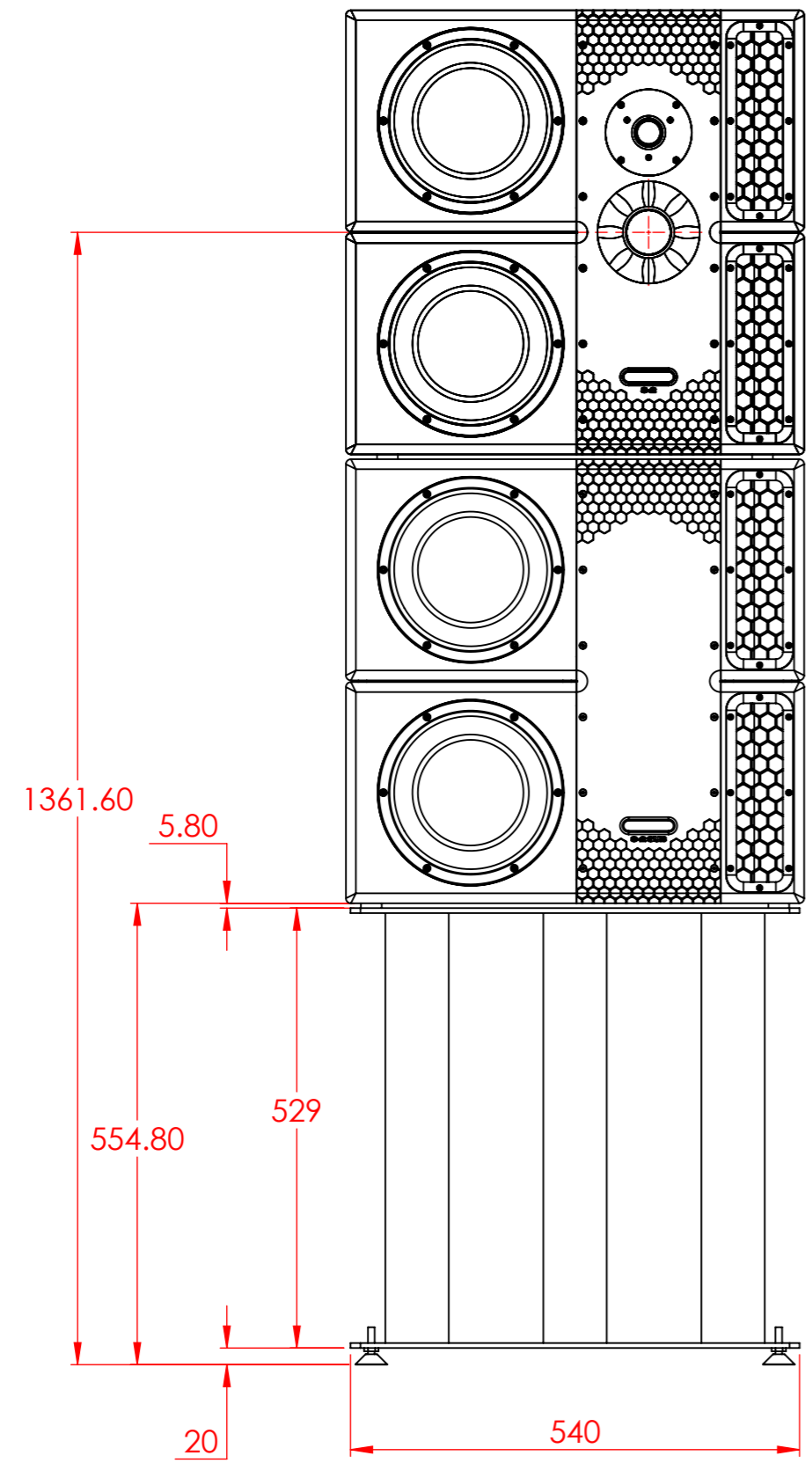


1 A B C D E D E

2
3
4
5
6
7

8



<h1>PMC[®]</h1> <p>THE PROFESSIONAL MONITOR COMPANY Holme Court Biggleswade, Bedfordshire SG18 9ST Tel: 01767 686 300</p>	SIZE	TITLE	5			
	A3	PMC8-2 XBD Stand Assy with speaker				
	SCALE	PROJECT	4			
	1:8	PMC8-2				
	SHEET	PART NO.	REV.	3		
1 of 1	N/A	1	2			
	All Tolerances +/-0.2mm Unless otherwise stated		1	EW	First Issue	20/9/23
	All Dimensions in mm		ISS.	INIT.	DESCRIPTION	DATE
						APP.