

This cut out is 432mm x 282mm – the cabinet is 430mm x 280mm

IN-WALL CUT OUT



**PMC**<sup>®</sup>

**ci45**<sup>™</sup>

IN-WALL INSTALLATION  
TEMPLATE

Qikfire<sup>™</sup> mounting  
system pivot point

16mm

16mm

HF DRIVE UNIT

Height 432mm (17")

Width 282mm (11.1")

LF DRIVE UNIT

TERMINALS

16mm

16mm

**Cut out (max. required)**

Height 432mm (17")  
Width 282mm (11.1")

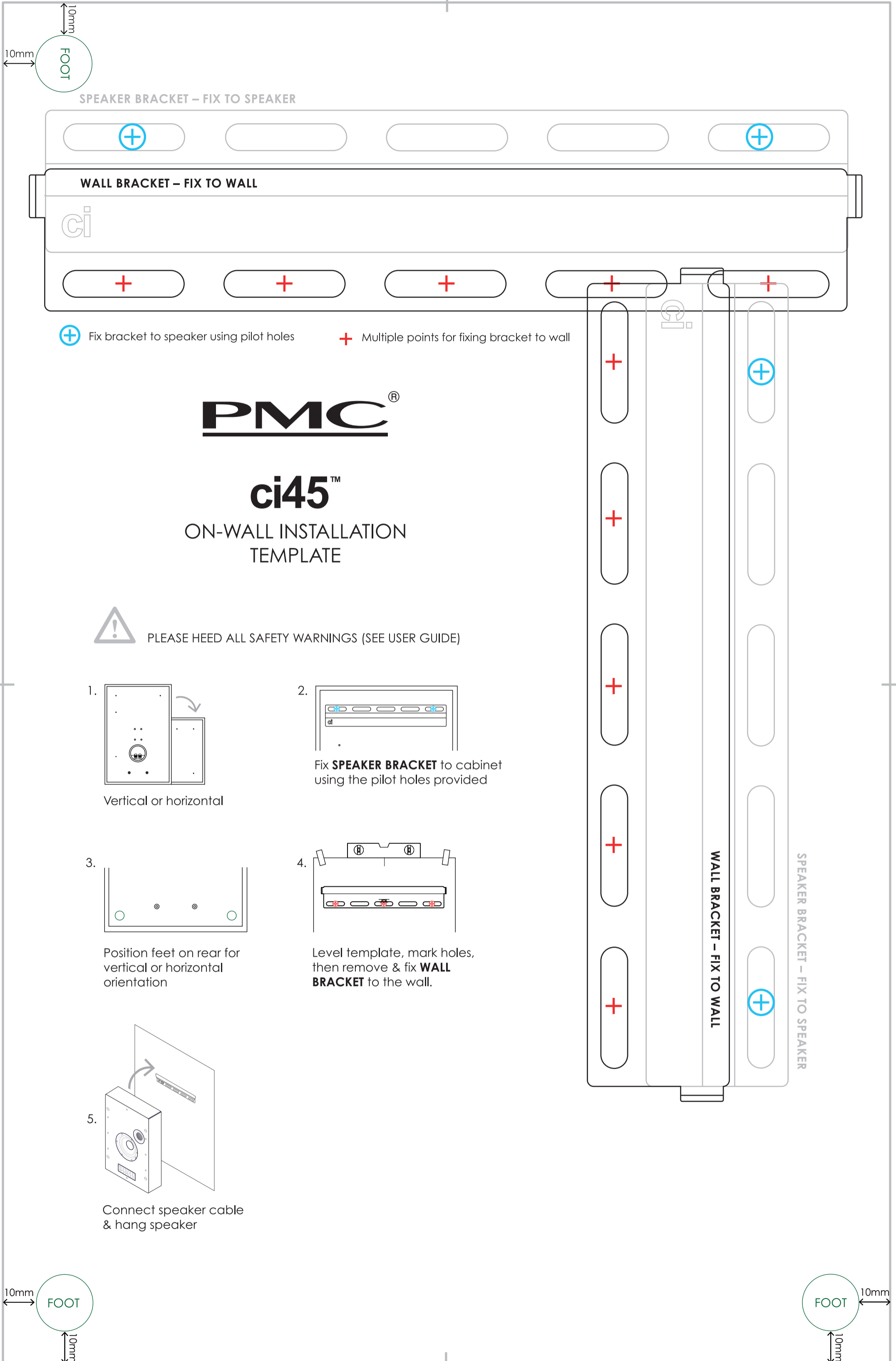
**Cabinet dimensions**

Height 430mm (16.9")  
Width 280mm (11")

**Overall dimensions**

Height 450mm (17.7")  
Width 300mm (11.8")  
Depth 103mm (4")

# VERTICAL MOUNTING



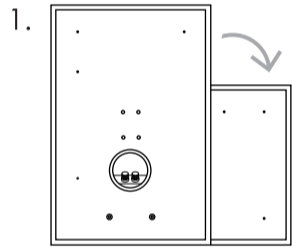
⊕ Fix bracket to speaker using pilot holes      + Multiple points for fixing bracket to wall

## PMC<sup>®</sup>

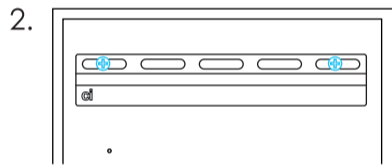
### ci45<sup>™</sup> ON-WALL INSTALLATION TEMPLATE



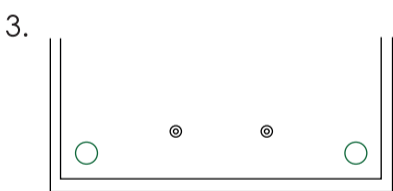
PLEASE HEED ALL SAFETY WARNINGS (SEE USER GUIDE)



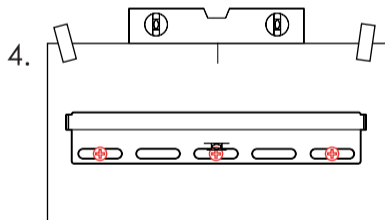
1. Vertical or horizontal



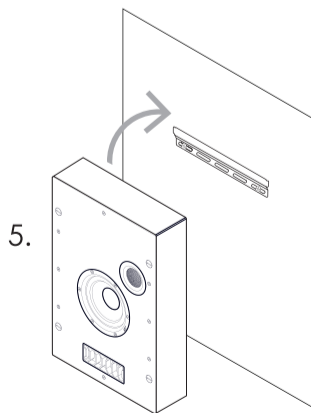
2. Fix **SPEAKER BRACKET** to cabinet using the pilot holes provided



3. Position feet on rear for vertical or horizontal orientation



4. Level template, mark holes, then remove & fix **WALL BRACKET** to the wall.



5. Connect speaker cable & hang speaker

OVERALL CABINET DIMENSIONS (450mm x 300mm)

HORIZONTAL MOUNTING

OVERALL CABINET DIMENSIONS (450mm x 300mm)