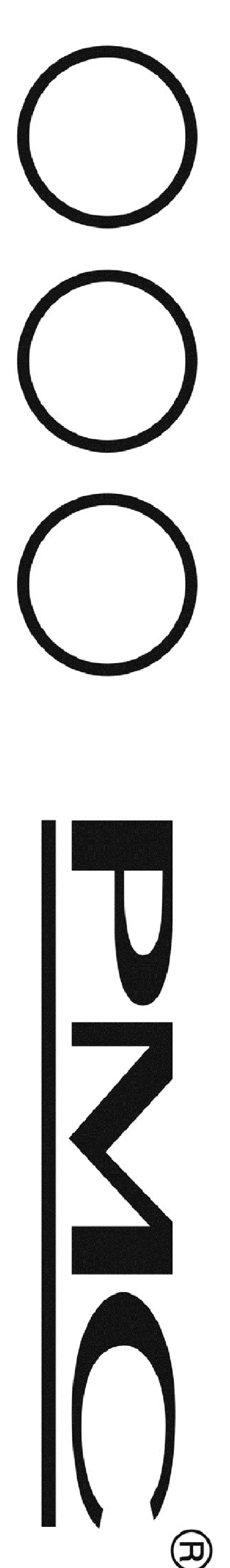
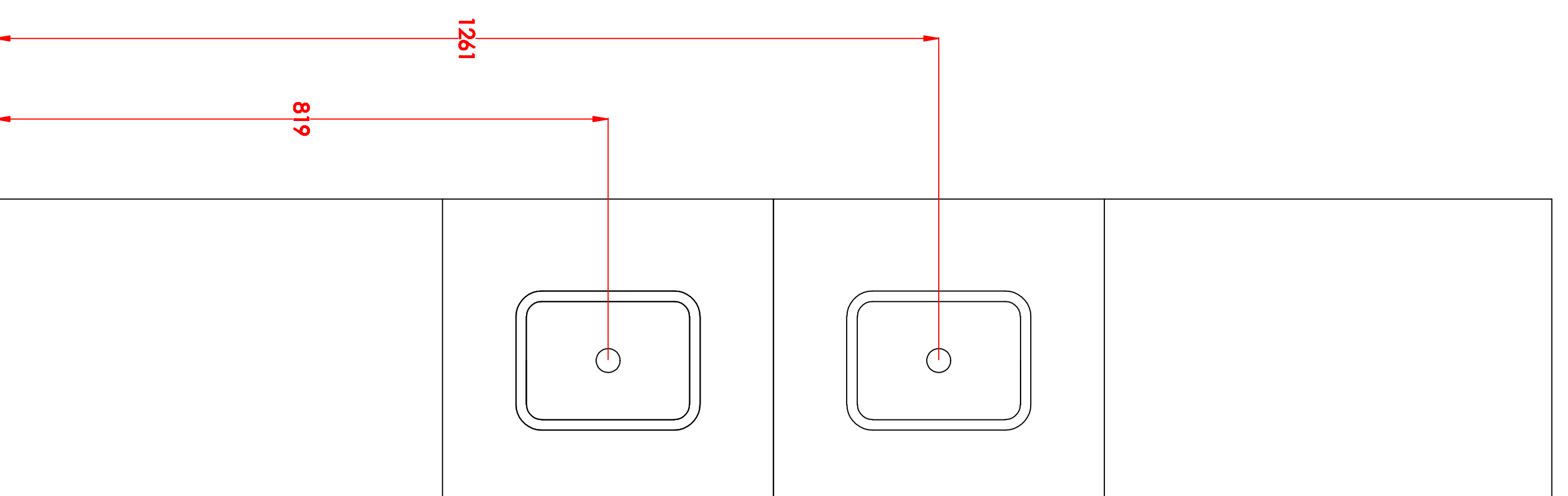
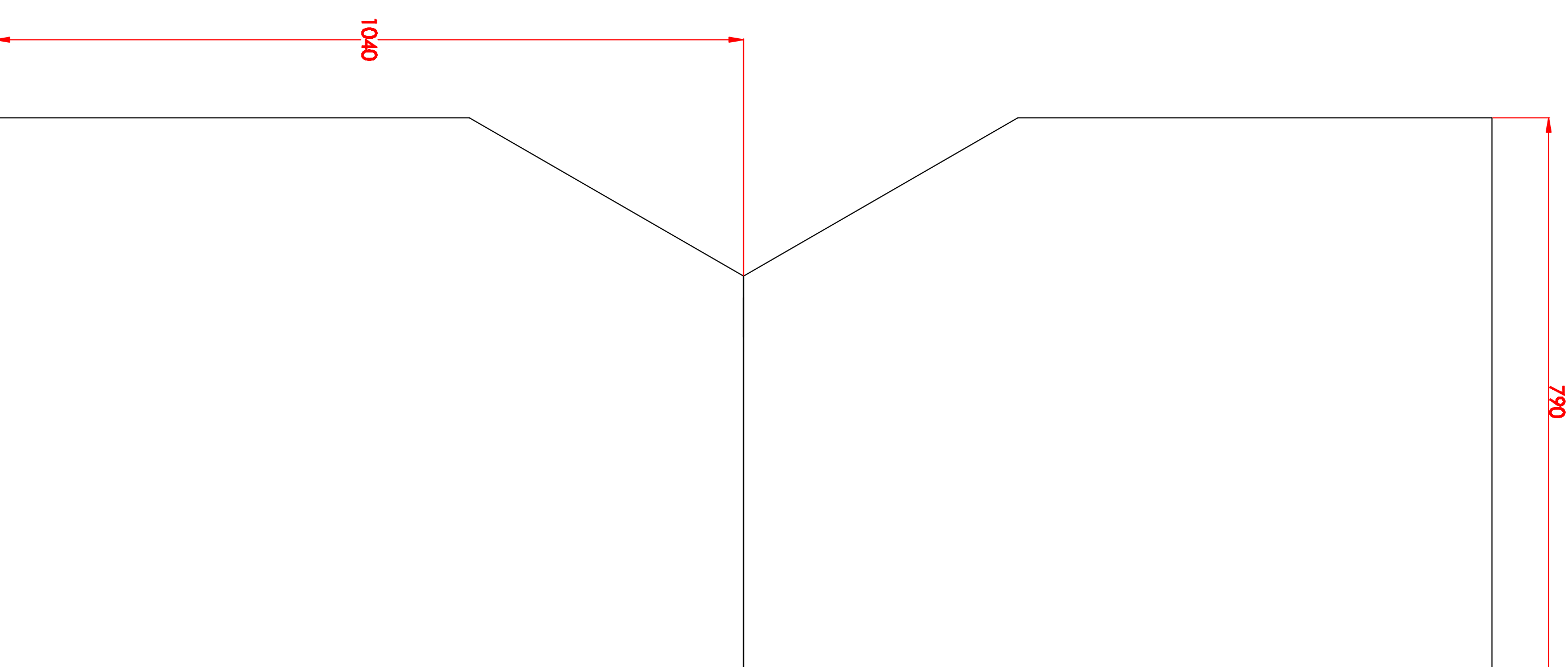
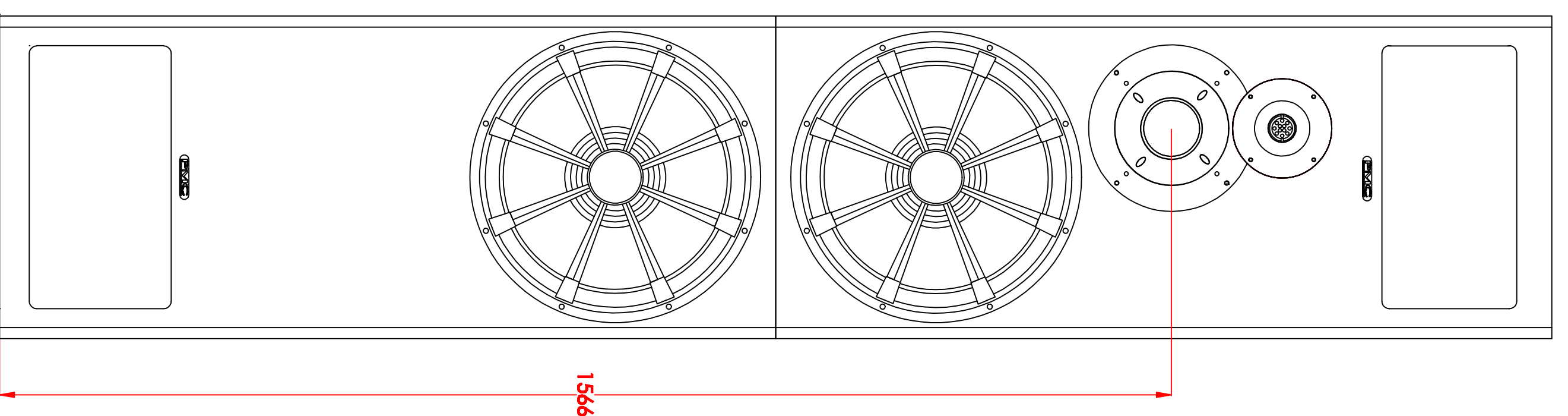
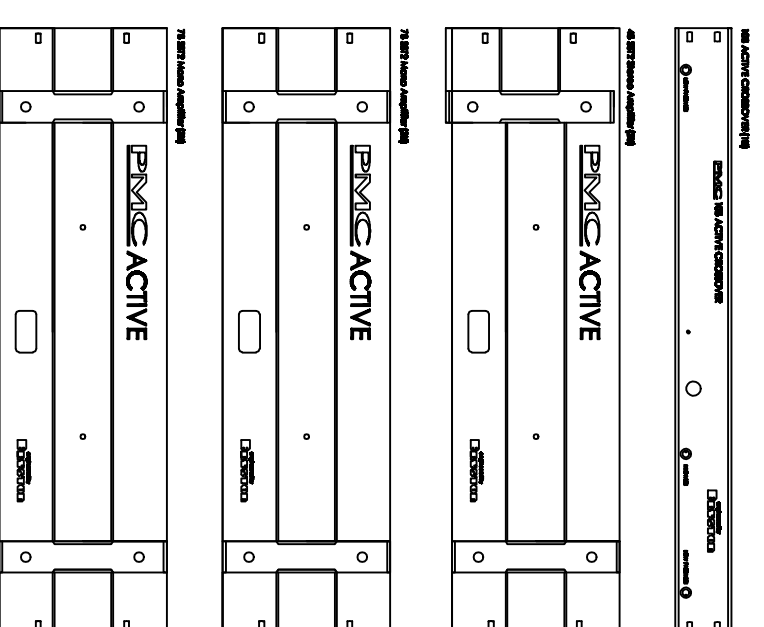


Note: Amplifiers are total of 10U High and we recommend a 1U spacing between each unit for ventilation  
Total: 13U



THE PROFESSIONAL MONITOR COMPANY  
43-45 Crawley Green Road  
Luton, Bedfordshire LU2 0AA  
Tel: 0870 444 1044 Fax: 0870 444 1045

SIZE	TITLE	5		
A4	BB5-XBD-A-SE	4		
SCALE	PROJECT	3		
N/A	BB5-XBD-A-SE	2		
SHEET	DRAWING NO.	1	PM.	Dimension Drawing
	All Tolerances +/-0.2mm Unless otherwise stated	ISS. INIT.		08/08/14
	All Dimensions in mm	DESCRIPTION		DATE
				APP.