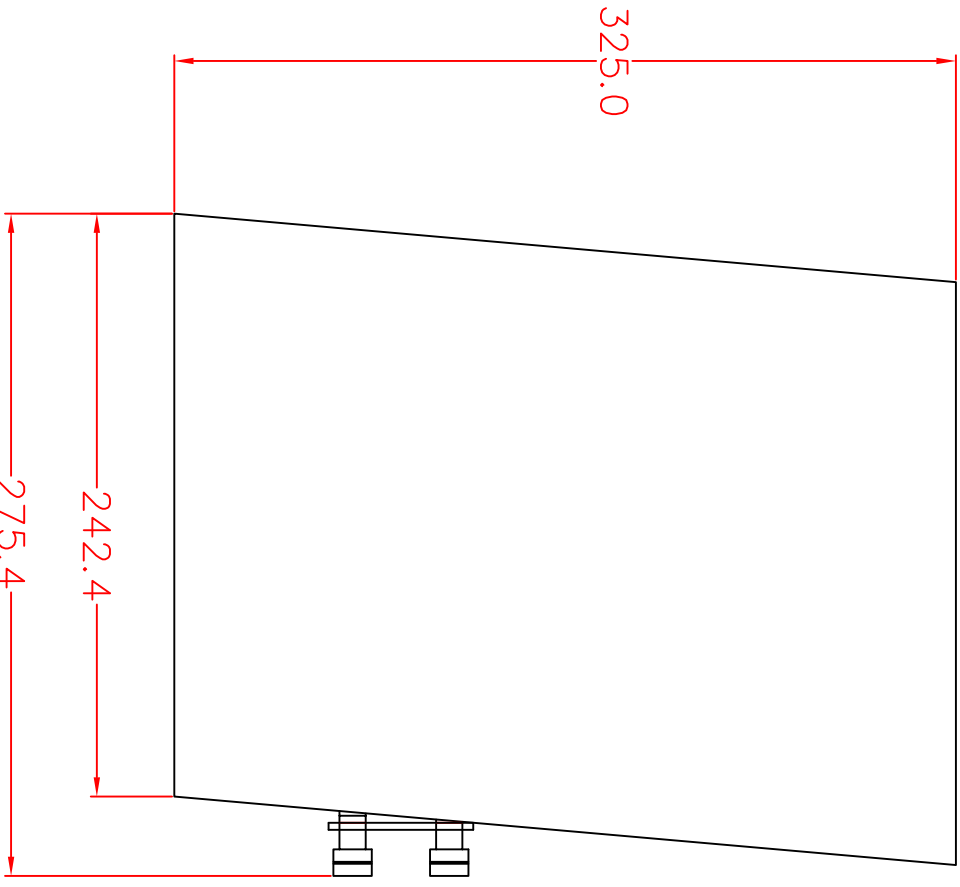
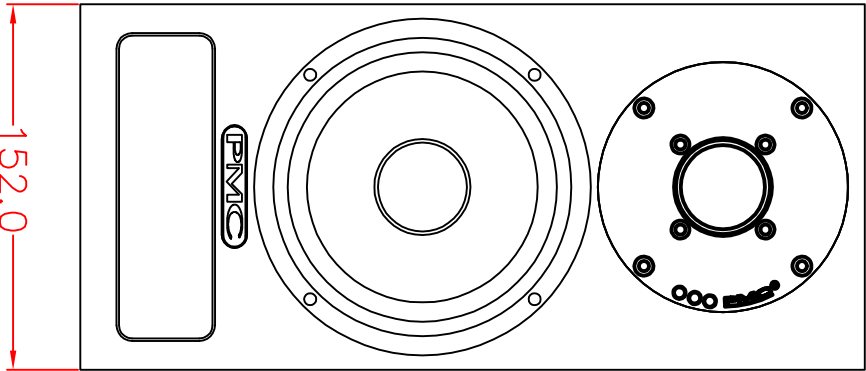
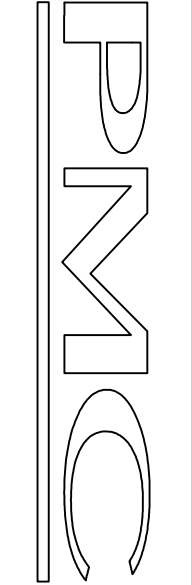


1 A B C D E F G H J K



ALL DIMENSIONS IN MILLIMETRES



THE PROFESSIONAL MONITOR COMPANY
 43-45 Crawley Green Road
 Luton, Bedfordshire LU2 0AA
 TEL: 0870 4441044 FAX: 0870 4441045

ORIGINAL	DATE	INIT
APPROVED	26-05-11	AW
ISSUE 1	11-11-11	AW
ISSUE 2		
ISSUE 3		

All tolerances are +/- 0.2mm unless otherwise specified

PROJECT HiFi

TITLE
 2021 Outer Dimensions

DRAWING NO. 2021H1

SHEET /