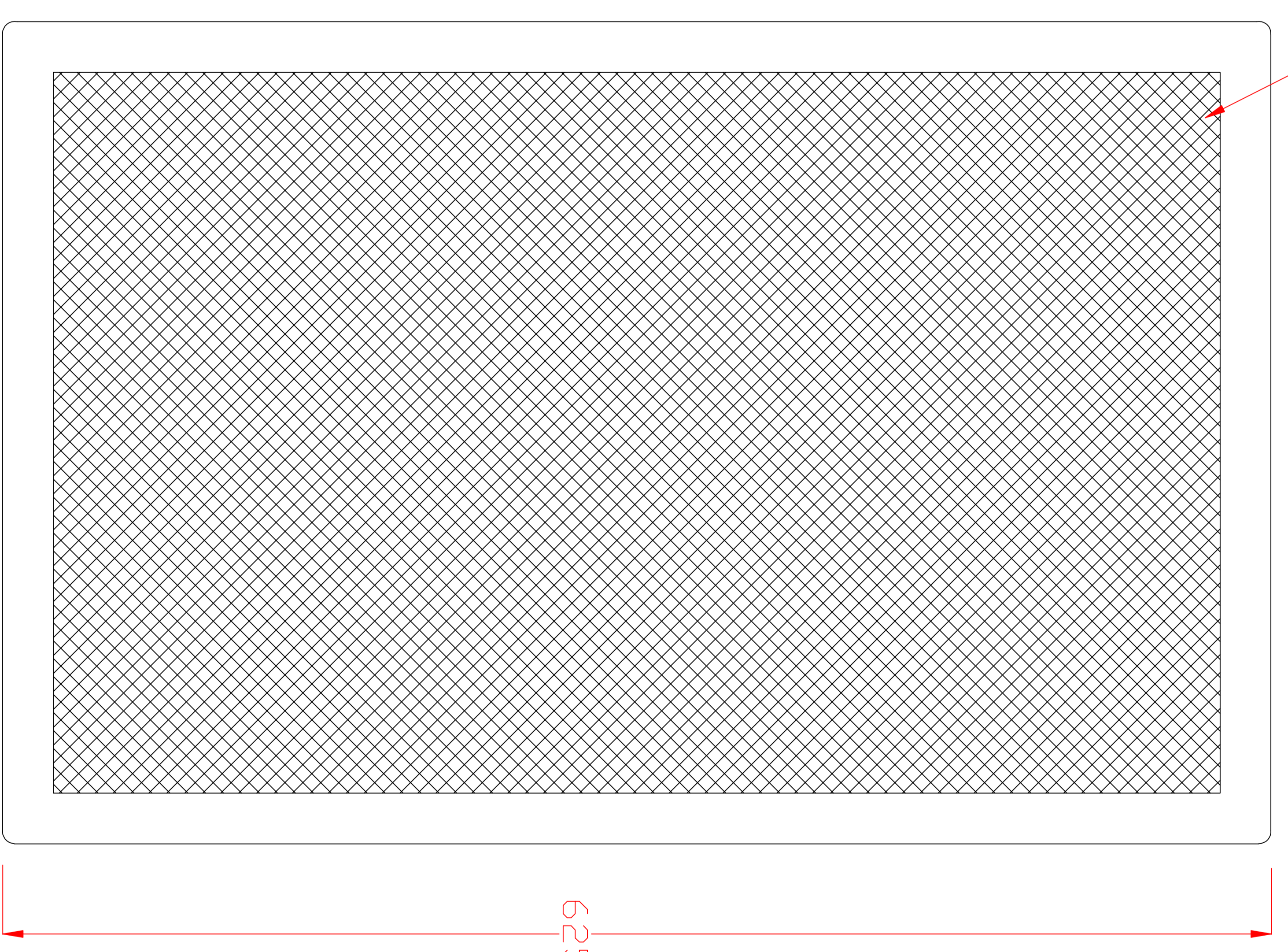
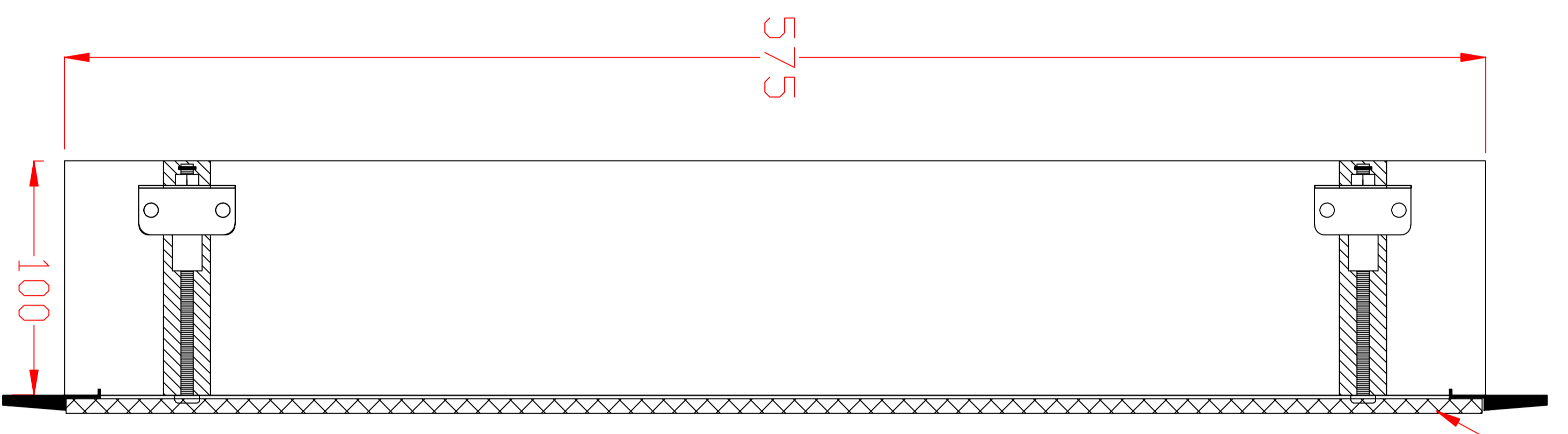
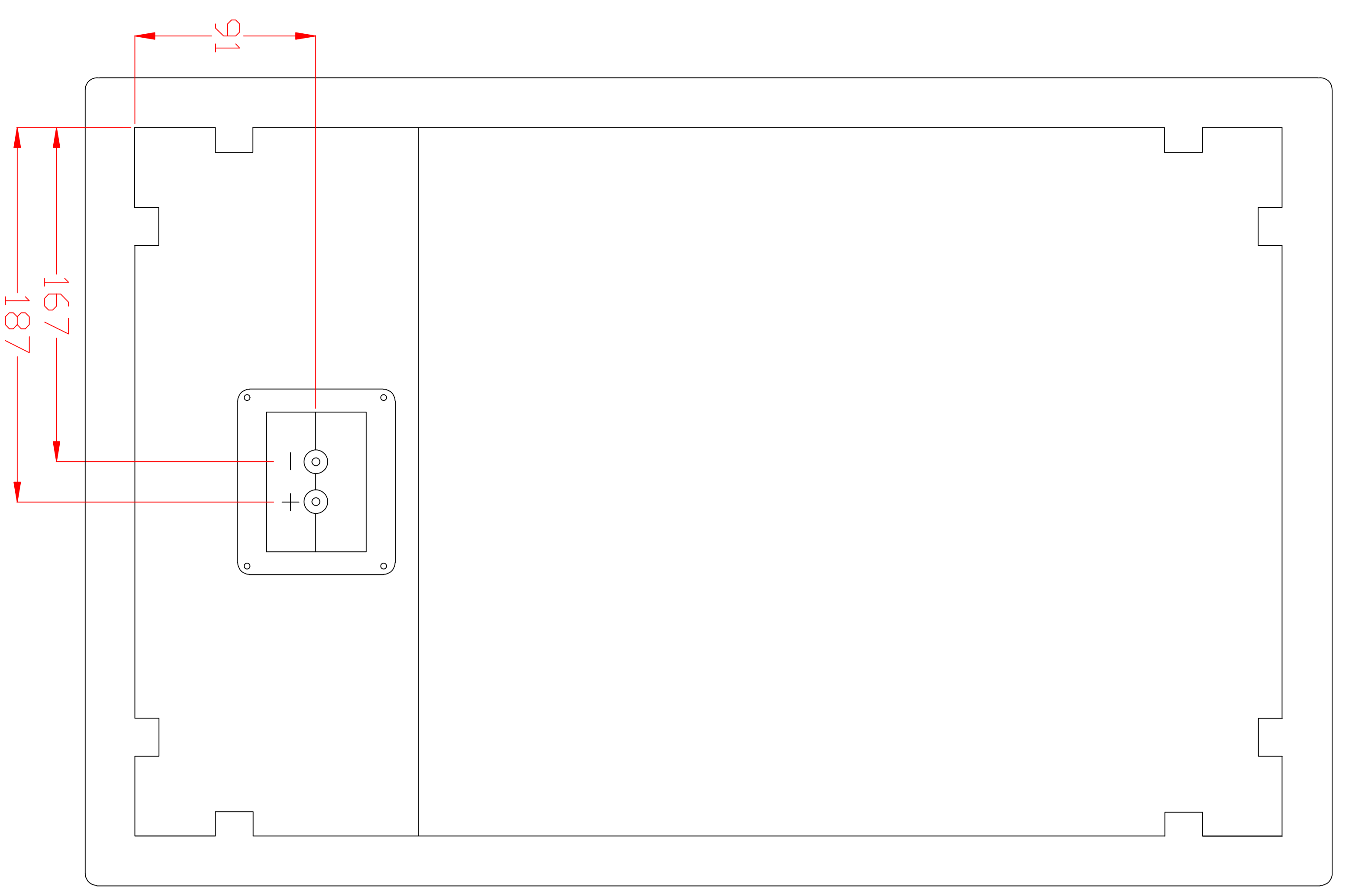
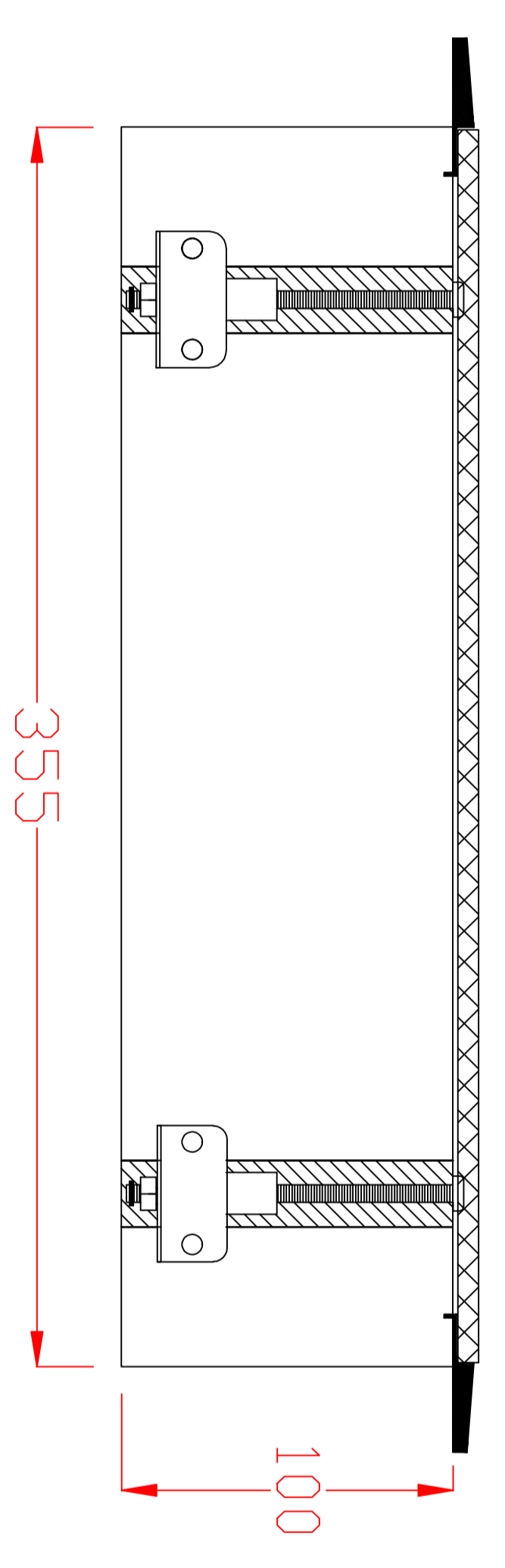
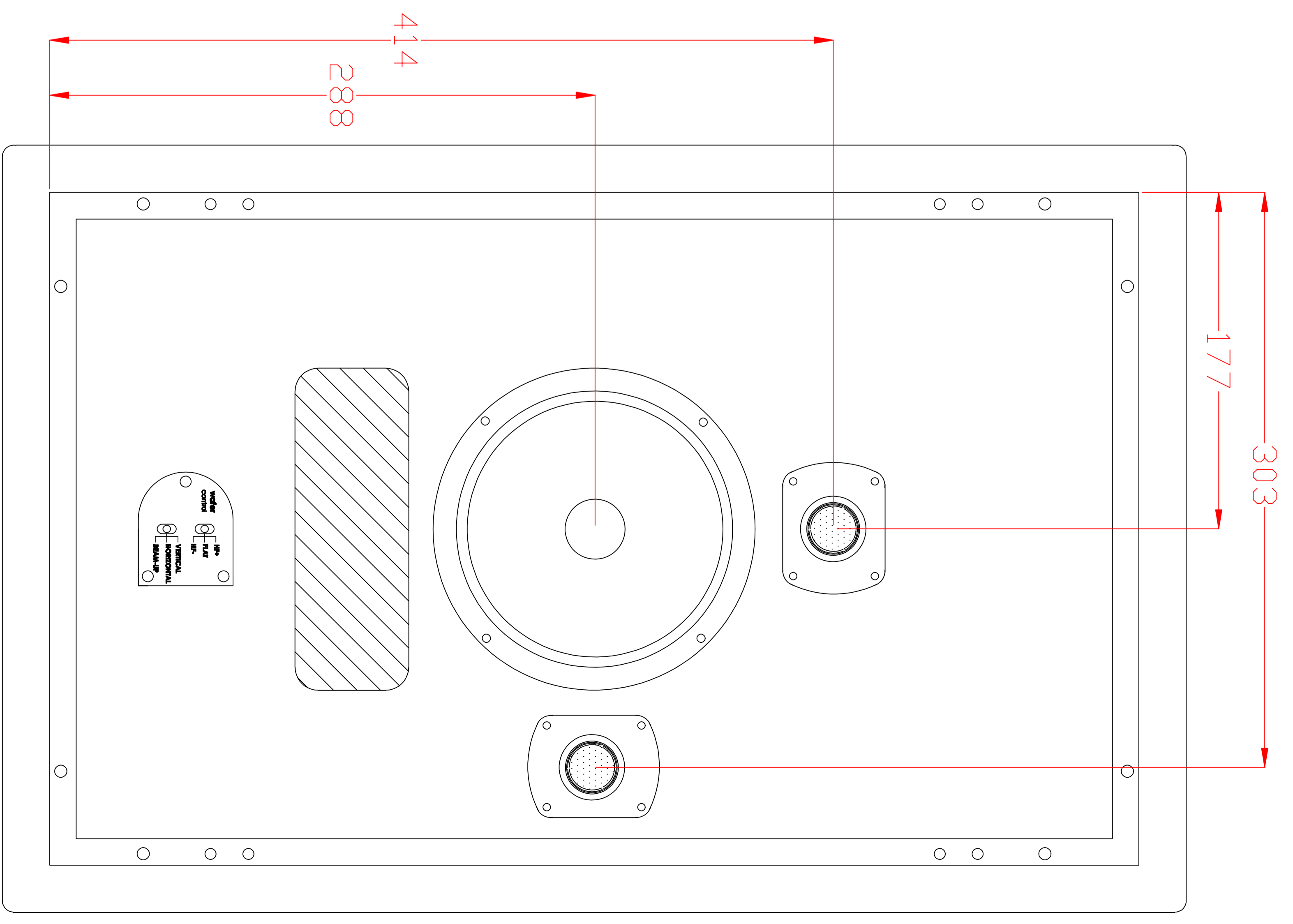


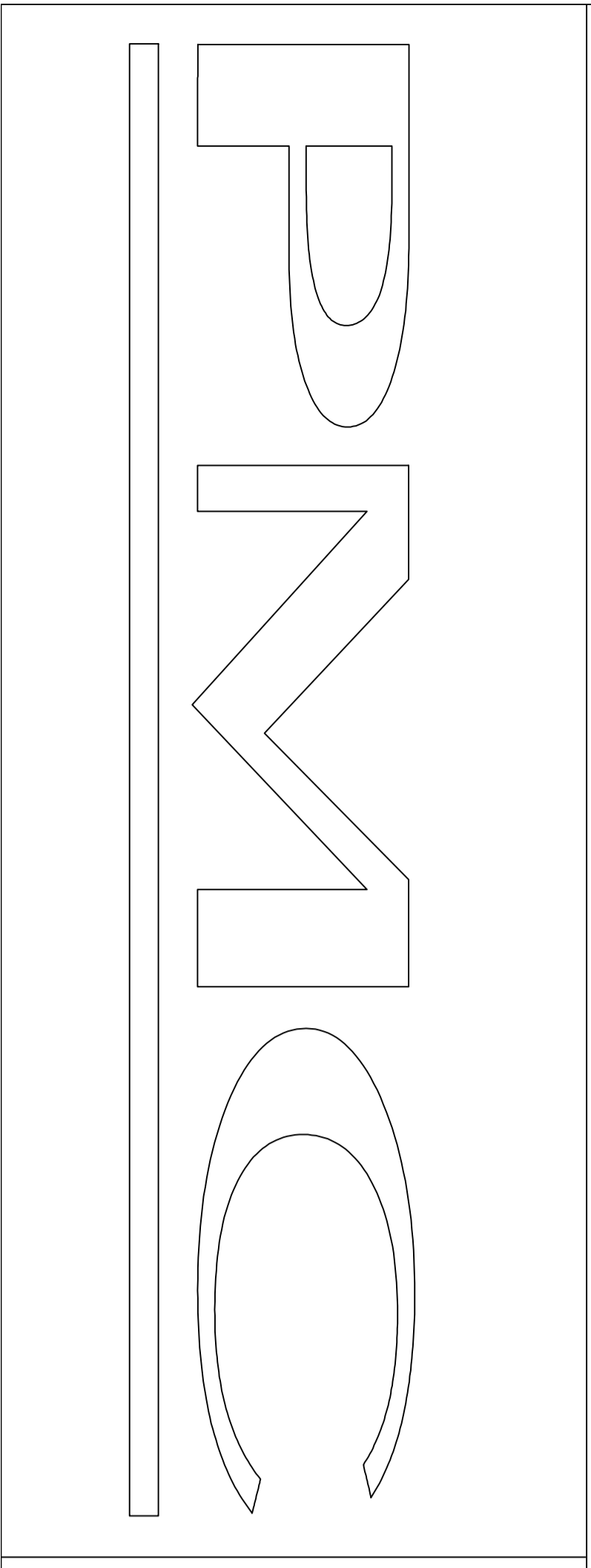
1 A B C D E F G H J K



Grille



ALL DIMENSIONS IN MILLIMETRES



THE PROFESSIONAL MONITOR COMPANY
 43-45 Crawley Green Road
 Luton, Bedfordshire LU2 0AA
 TEL: 0870 4441044 FAX: 0870 4441044

DATE	INIT
22-11-06	OAT
ORIGINAL	
APPROVED	
ISSUE 1	
ISSUE 2	
ISSUE 3	

PROJECT
 WAFER2

TITLE
 WAFER2 IN WALL
 VIEW DIMS

DRAWING NO.
 WAFER2-IWN1

SHEET
 /