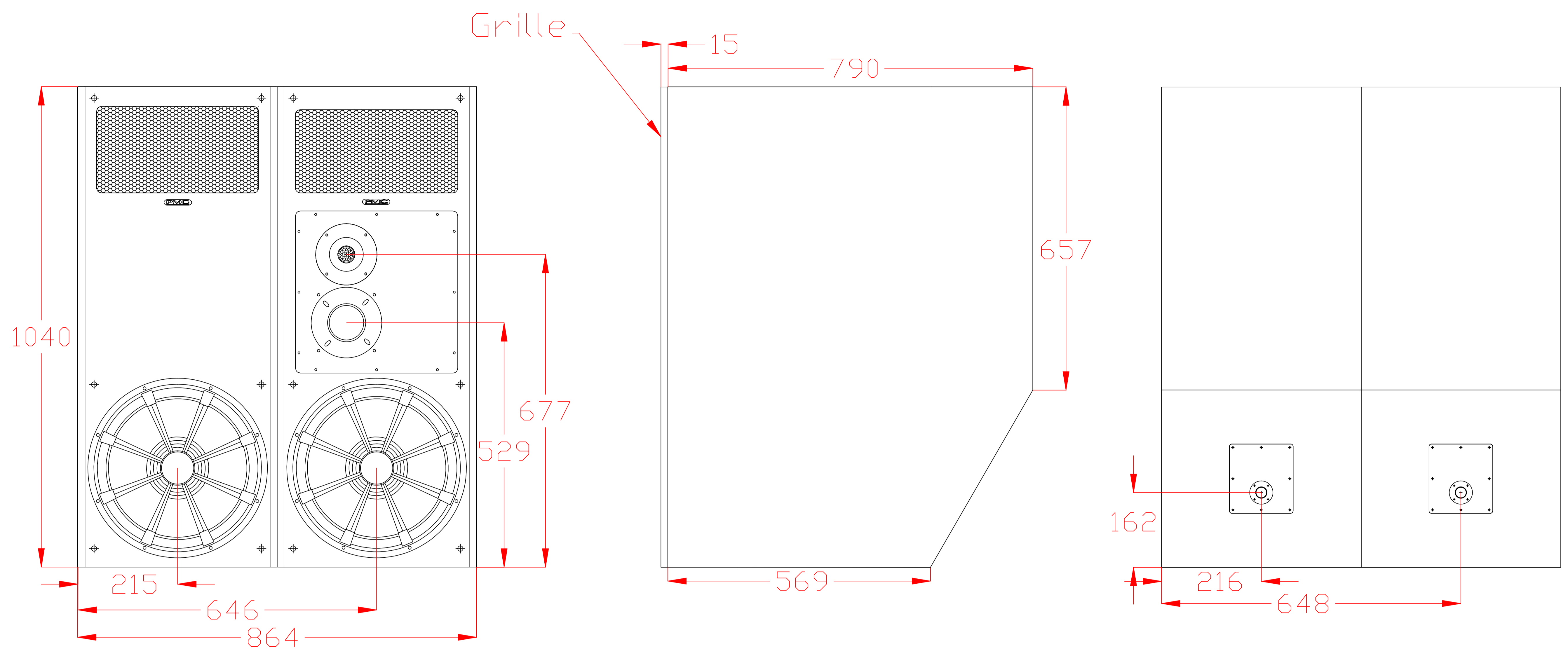
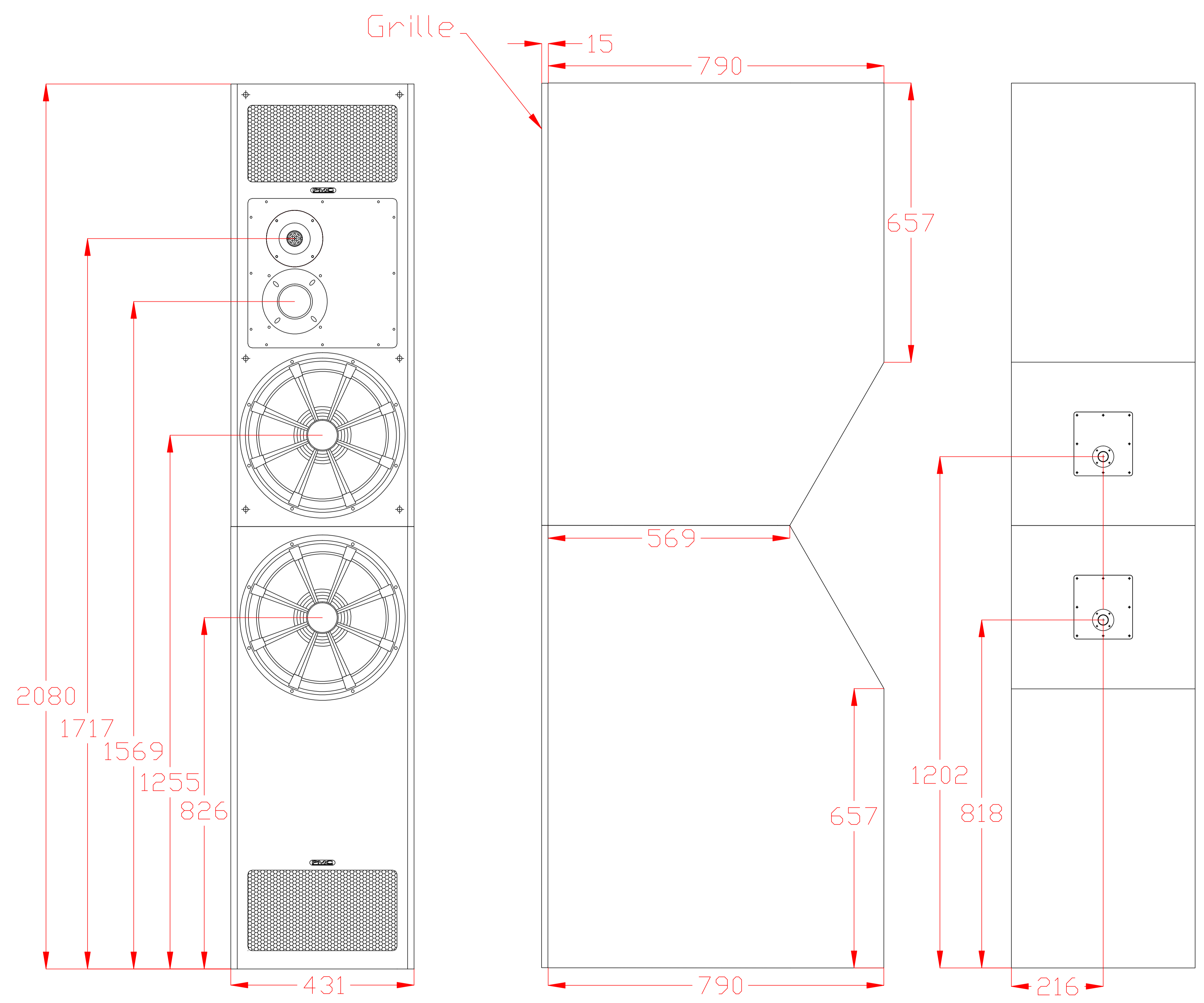


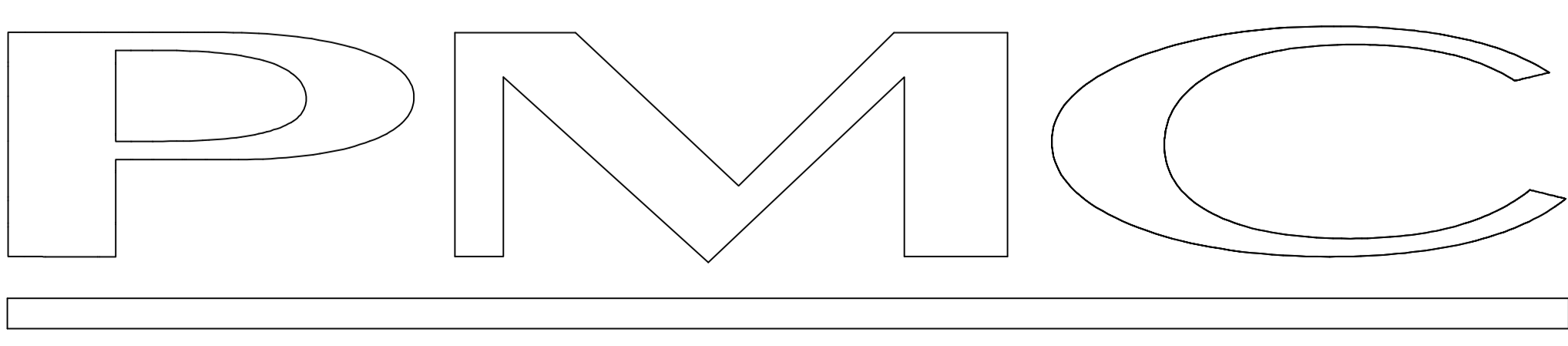
1 A B C D E

(SIDE BY SIDE)



VERTICAL
(LEFT CHANNEL)



	ORIG	DATE 1/11/06	INIT OAT	TITLE BB5 XBD-A VIEW DIMS	
	APP				
	ISS1				
THE PROFESSIONAL MONITOR COMPANY 43-45 Crawley Green Road Luton, Bedfordshire LU2 0AA Tel: 0870 4441044 Fax: 0870 4441045	ISS2			PROJECT BB5	
	ISS3				
				DRAWING NO. BB5XBDN1	SHEET /