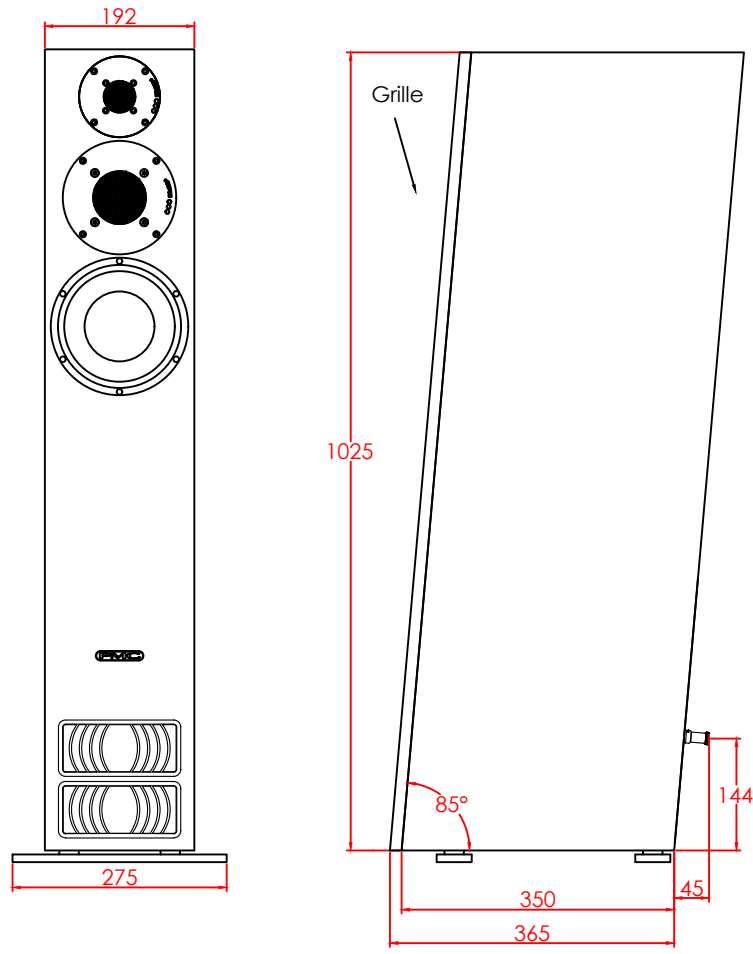



Weight: Approx 24.8kg each





THE PROFESSIONAL MONITOR COMPANY
 Holme Court
 Biggleswade, Bedfordshire SG18 9ST
 Tel: 01767 686300 Fax: 0870 444 1045

SIZE	TITLE
A4	Twenty5.26i
SCALE	PROJECT
N/A	DRAWING NO.
SHEET	All Tolerances +/-0.2mm Unless otherwise stated
1 of 1	All Dimensions in mm

6				
5				
4				
3				
2				
1	AW		020720	
ISS.	INIT.	DESCRIPTION	DATE	APP.