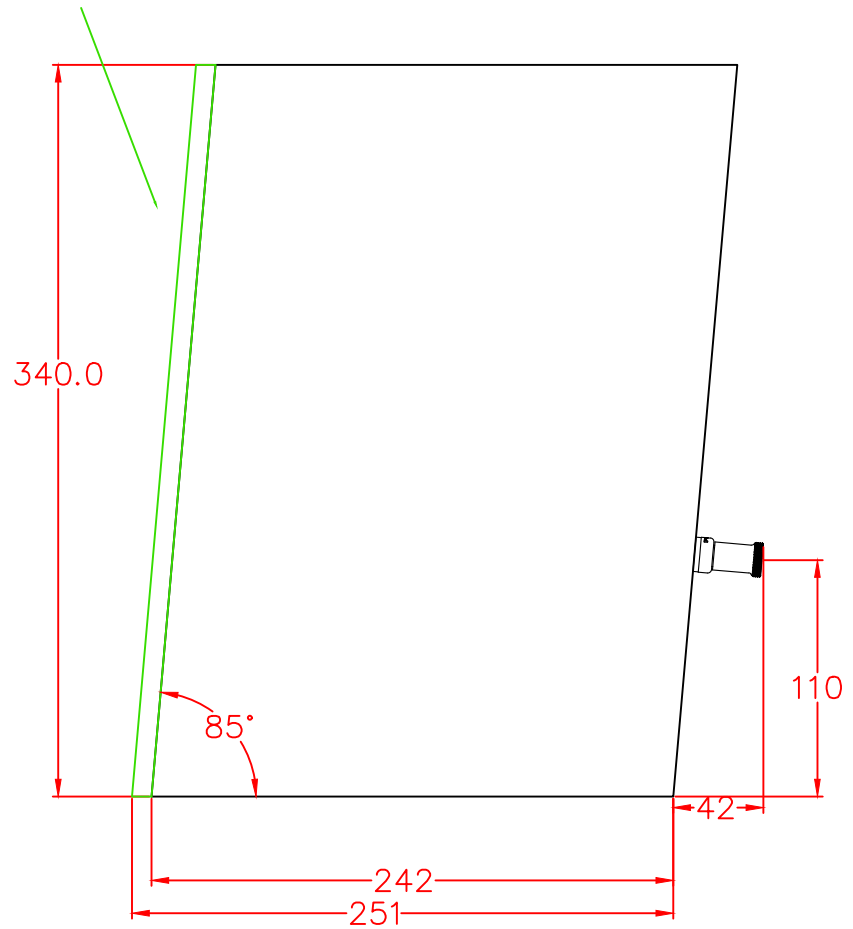
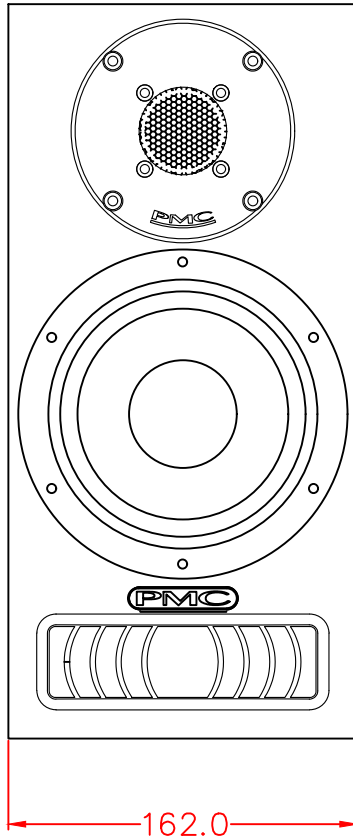


Weight: Approx 5.5kg each

Grille



ALL DIMENSIONS IN MILLIMETRES

PMC

THE PROFESSIONAL MONITOR COMPANY
 Holme Court
 Biggleswade, Bedfordshire SG18 9ST
 TEL: 01767 686300 FAX: 0870 4441045

	DATE	INIT
ORIGINAL	01-07-20	AW
APPROVED		
ISSUE 1		
ISSUE 2		
ISSUE 3		

PROJECT	HiFi
---------	------

TITLE	Twenty5.21i Outer Dimensions
DRAWING NO.	
SHEET	/