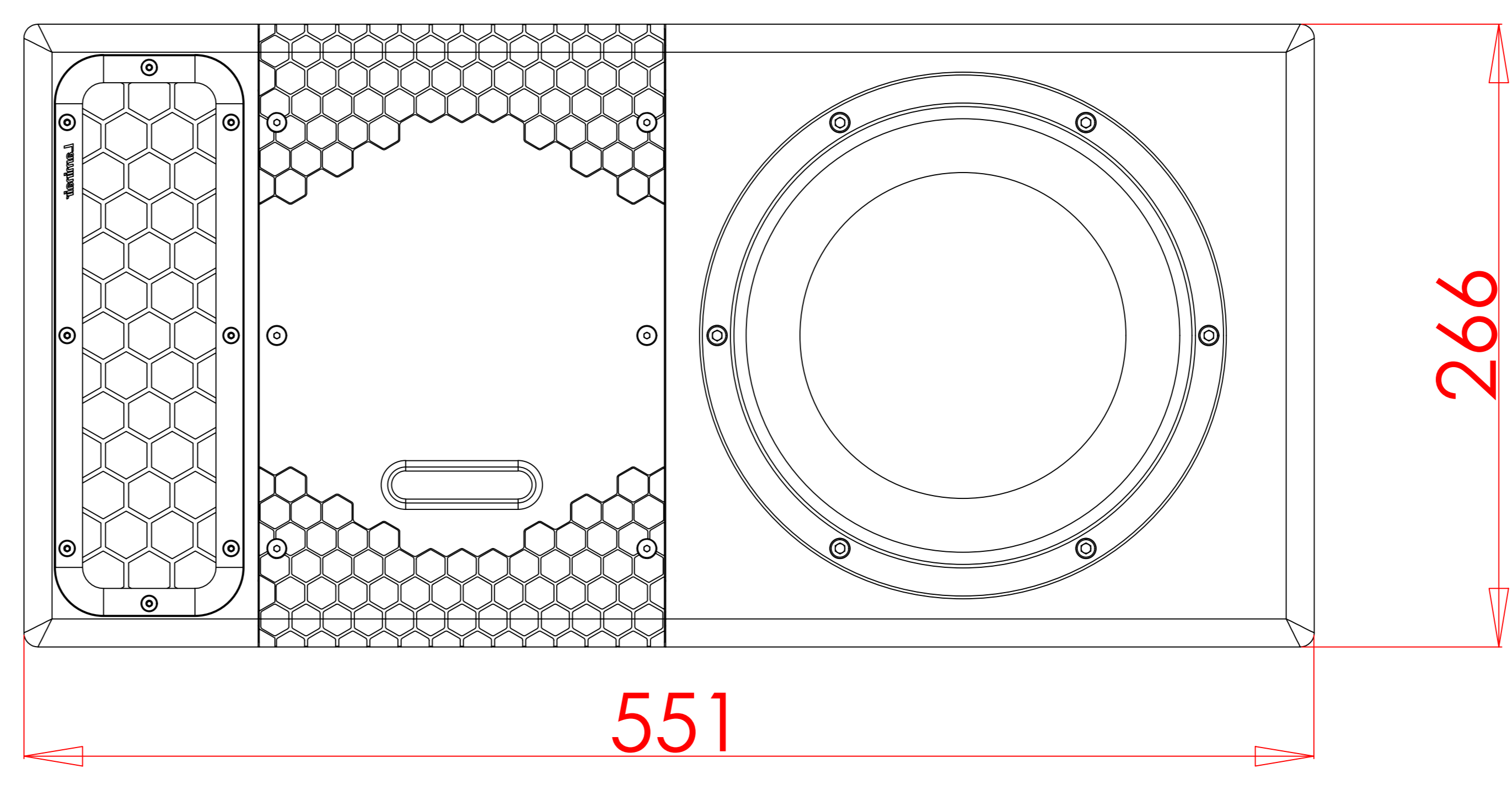
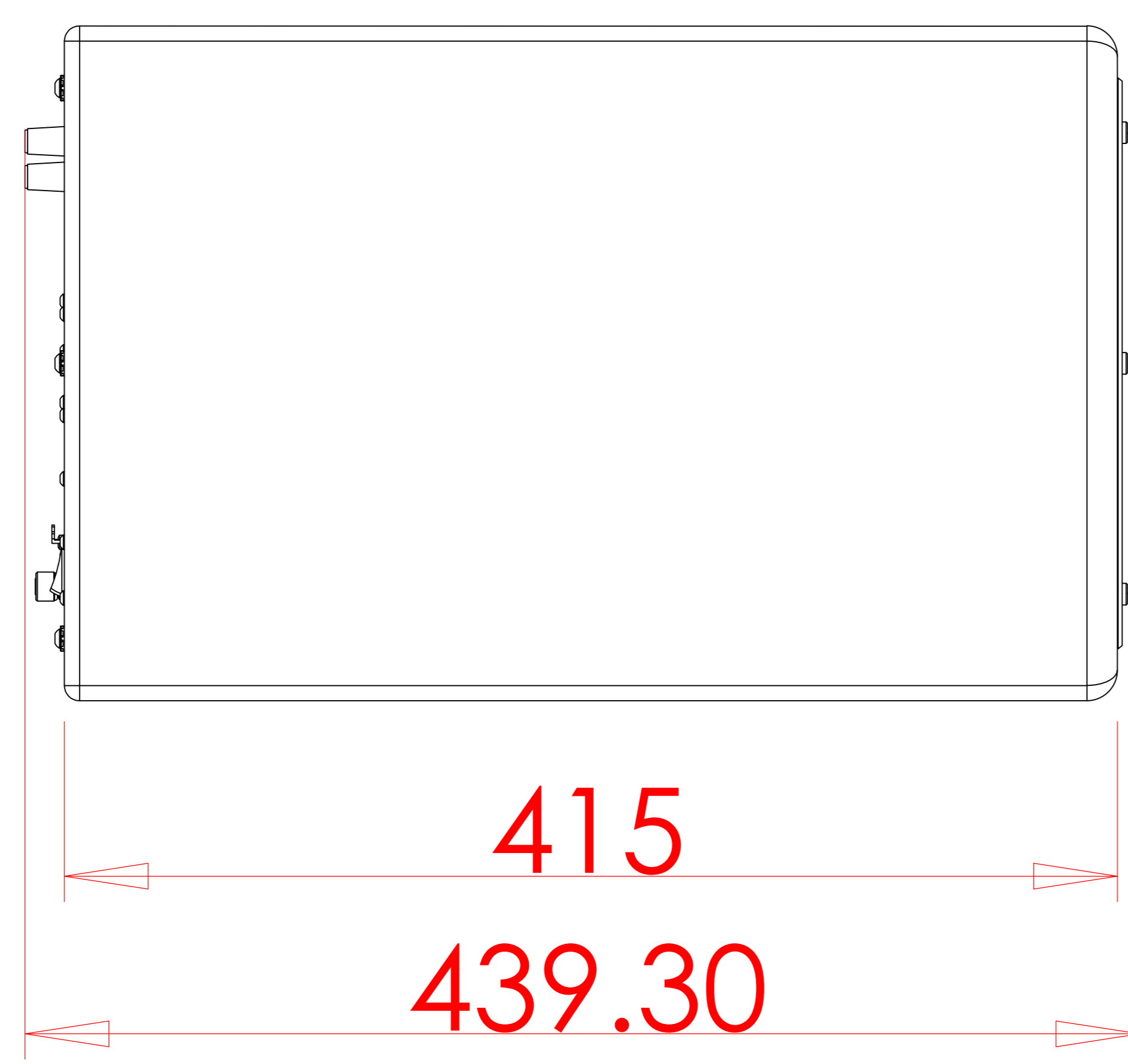



Product Weight:
 PMC8 SUB - 18.5KG



 THE PROFESSIONAL MONITOR COMPANY Holme Court Biggleswade, Bedfordshire SG18 9ST Tel: 01767 686 300	SIZE	TITLE	5			
	A3 PROJECT	PMC 8 SUB	4			
	SCALE	PART NO. REV.	3			
	1:10		2			
SHEET	All Tolerances +/-0.2mm Unless otherwise stated		1	PM	Dimensions	27/08/21
1 of 1	All Dimensions in mm		ISS.	INIT.	DESCRIPTION	DATE APP.