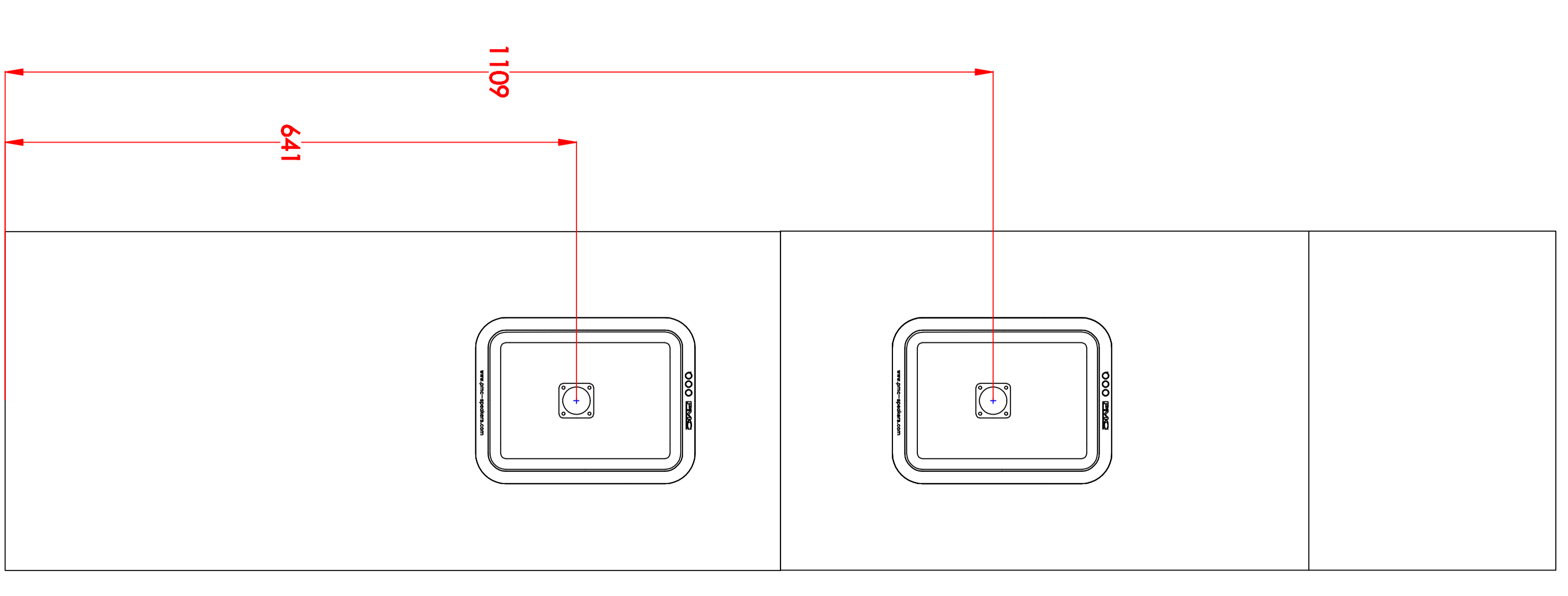
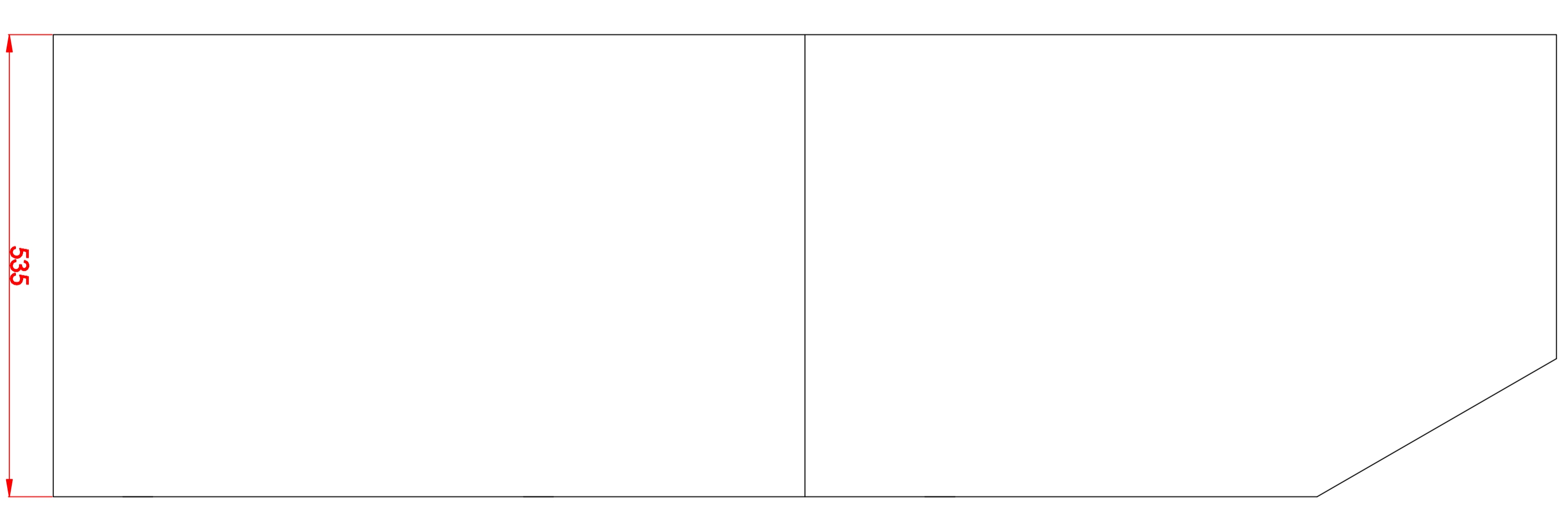
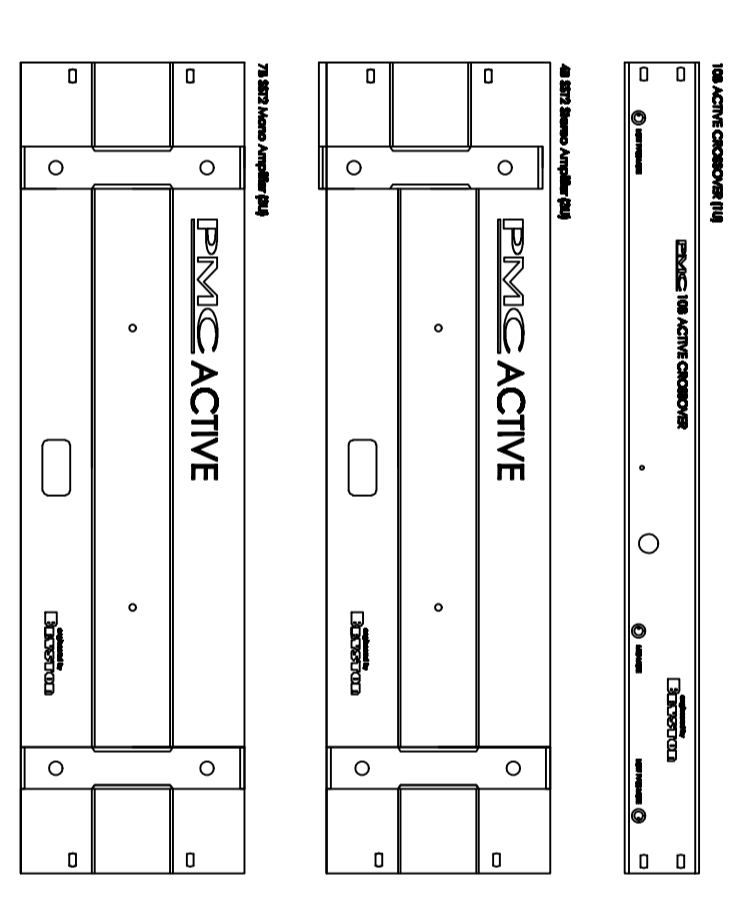
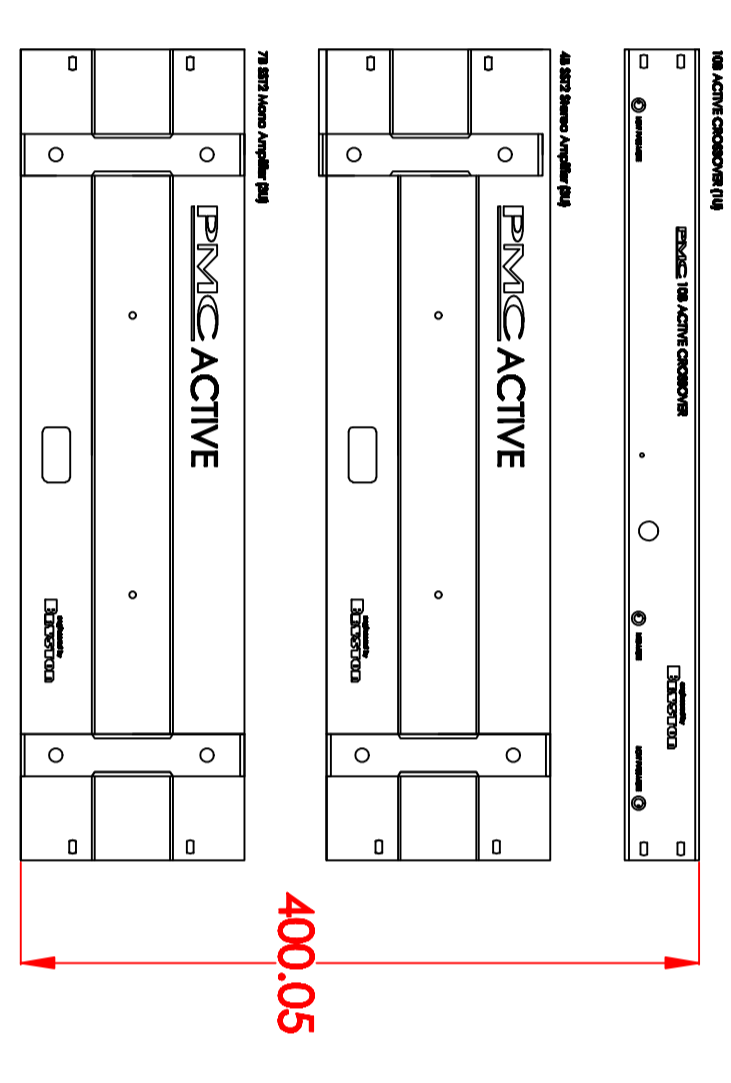


Note: Amplifiers are total of 7U (311.15mm) High and we recommend a 1U spacing between each unit for ventilation
 Total: 9U (400.05mm)



		THE PROFESSIONAL MONITOR COMPANY 43-45 Crawley Green Road Luton, Bedfordshire LU2 0AA Tel: 0870 444 1044 Fax: 0870 444 1045	
SIZE	A4	TITLE	MB2-XBD-A-SE
SCALE	N/A	PROJECT	MB2-XBD-A-SE
SHEET		DRAWING NO.	
			All Tolerances +/-0.2mm Unless otherwise stated
			All Dimensions in mm
ISS.	1	ISS. INIT.	PM
		DESCRIPTION	Dimension Drawing
		DATE	08/08/14
		APP.	