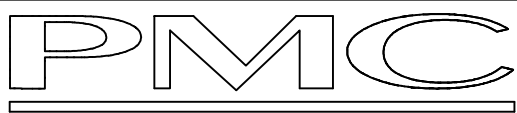
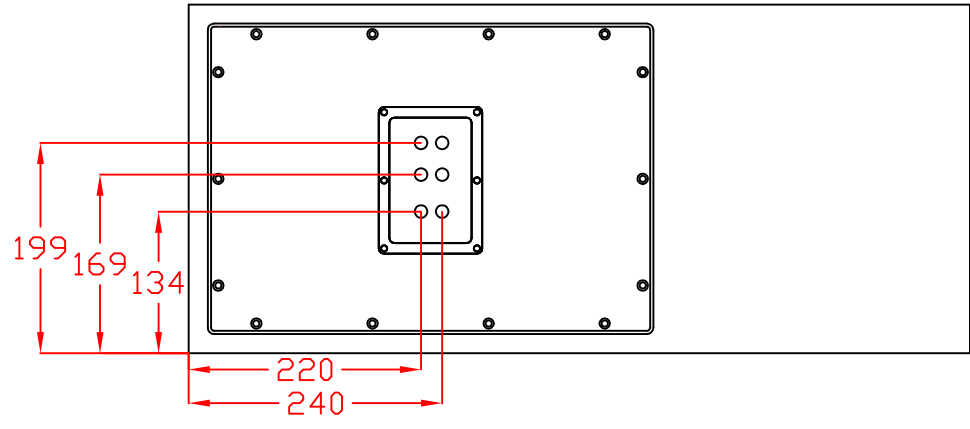
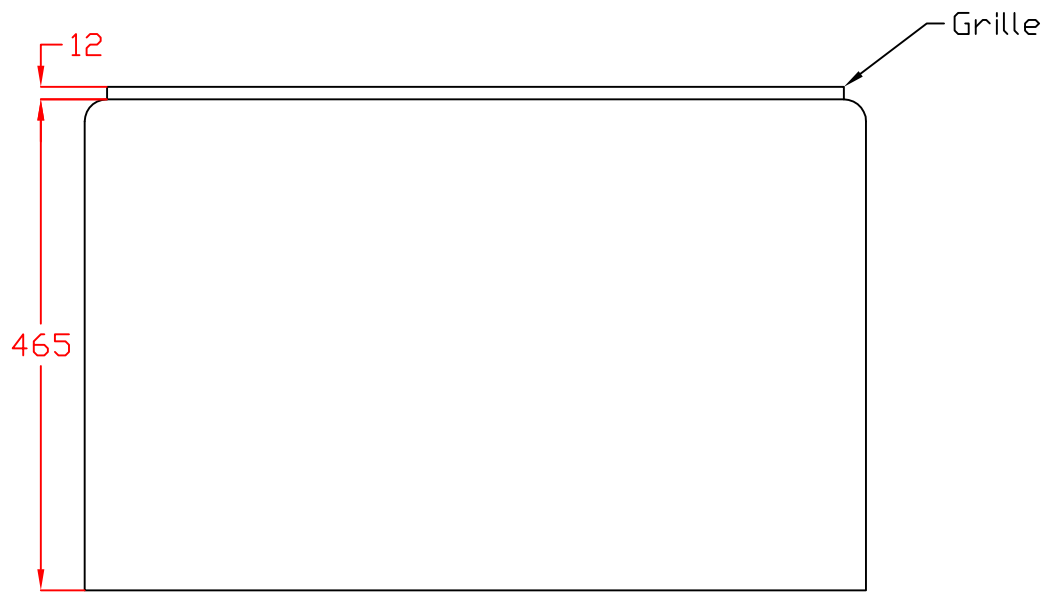
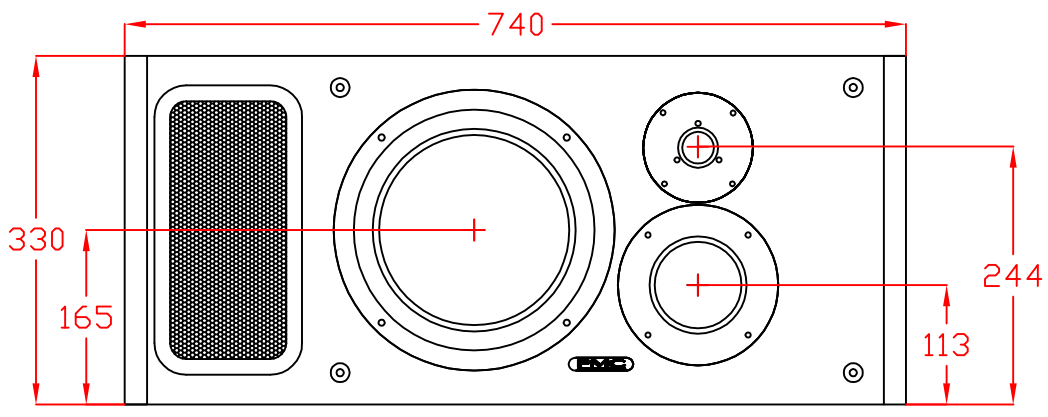


1 A B C D E

2
3
4
5
6
7
8
9
10



THE PROFESSIONAL MONITOR COMPANY
43-45 Crawley Green Road
Luton, Bedfordshire LU2 0AA
Tel: 0870 4441044 Fax: 0870 4441045

	DATE	INIT
ORIG	21-11-06	DAT
APP		
ISS1		
ISS2		
ISS3		

PROJECT
IB1

TITLE IB1C VIEW DIMS	
DRAWING NO. IB1CN1	SHEET /