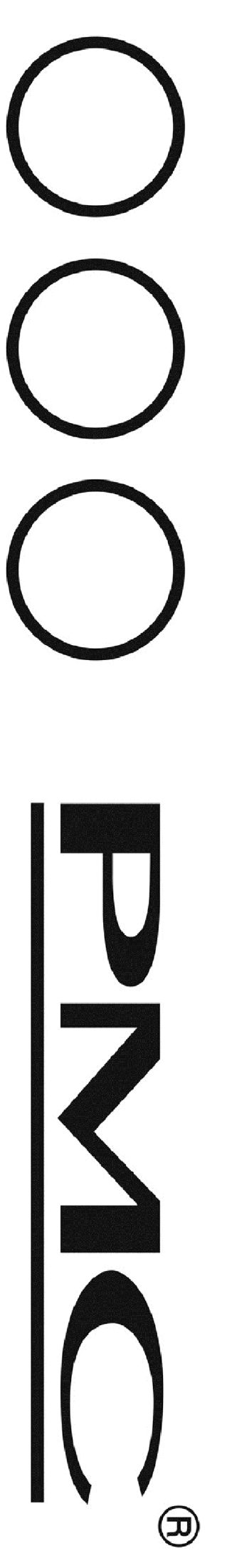
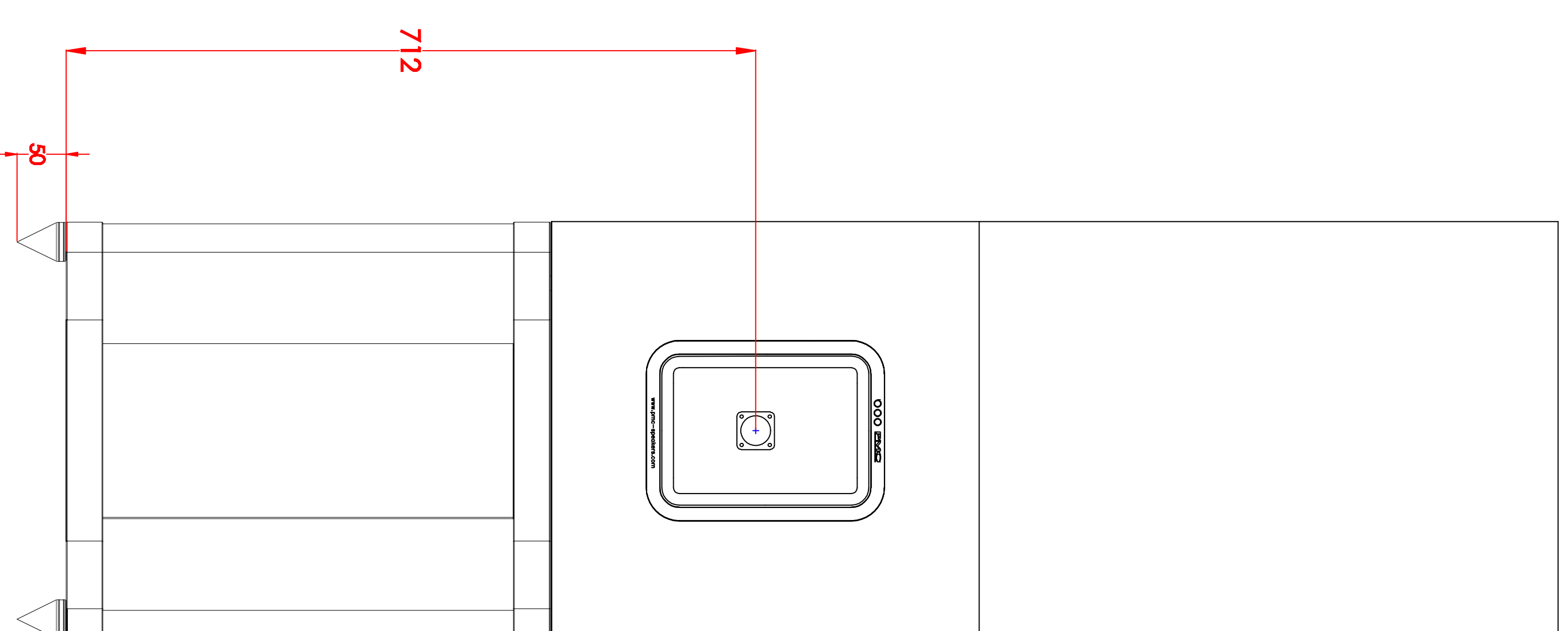
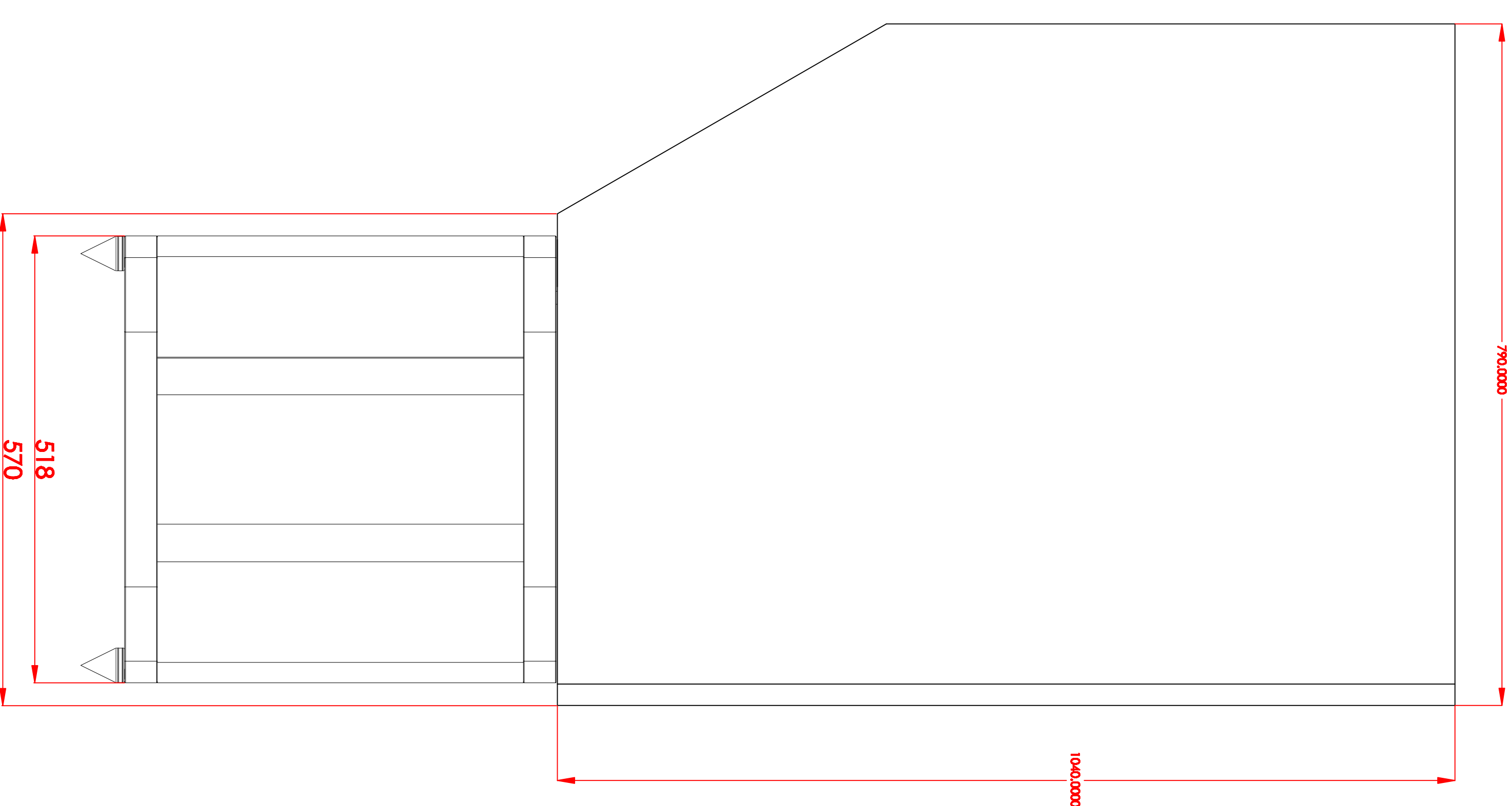


Note: Amplifiers are total of 7U (311.15mm) High and we recommend a 1U spacing between each unit for ventilation
 Total: 9U (400.05mm)



THE PROFESSIONAL MONITOR COMPANY
 43-45 Crawley Green Road
 Luton, Bedfordshire LU2 0AA
 Tel: 0870 444 1044 Fax: 0870 444 1045

SIZE	A4	TITLE	MB2-A-SE	5		
PROJECT	MB2-A-SE	PROJECT	MB2-A-SE	4		
SCALE	N/A	DRAWING NO.		3		
SHEET	N/A			2		
		All Tolerances +/-0.2mm Unless otherwise stated		1	PM	Dimension Drawing
		All Dimensions in mm		ISS. INIT.		DATE
						08/08/14
						APP.